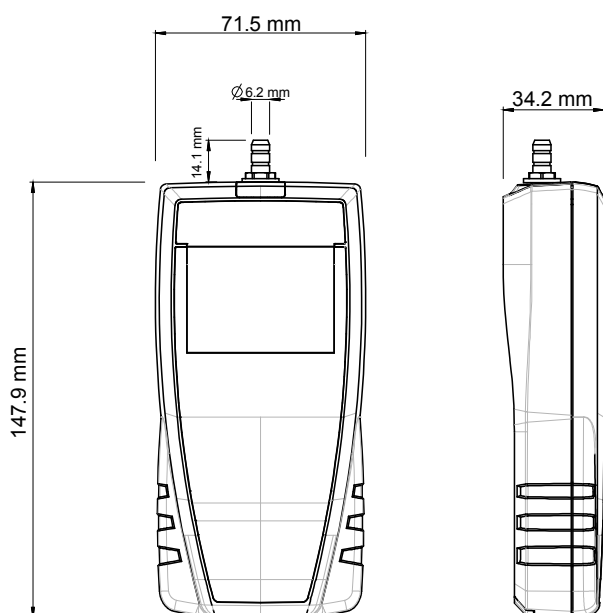


Atmospheric pressure MP 55

KEY POINTS

- Easy to use
- HOLD function
- Built-in probe

FEATURES OF THE HOUSING



Material : ABS

Protection : IP54

Display : 1 line
LCD 1 x 5 digits
Size : 50 x 20 mm

Height of digits :
Values : 9.2 mm
Units : 4.7 mm

Weight : 200 g (with batteries)



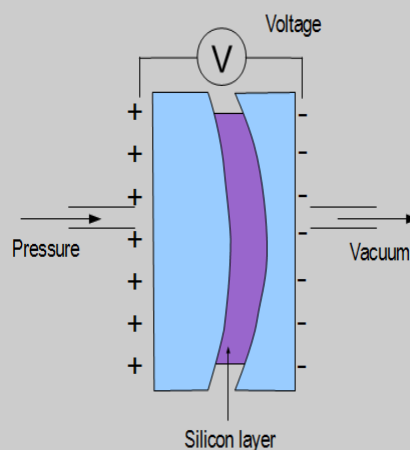
TECHNICAL FEATURES

Parameter	MP55
Measuring units	mbar, mmHg, hPa
Measuring range	From 700 to 1100 mbar
Accuracy*	±2 mbar
Resolution	0.1 mbar / 0.1 mmHg / 0.1 hPa
Response time	T63 < 10 s
Connector	Barbed connectors, Ø6.2 mm made of nickelled brass
Conditions of use (°C/%RH/m)	From 0 to +50 °C. In non-condensing conditions. From 0 to 2000 m.
Storage temperature	From -20 to +80 °C
Measuring element	Piezoresistive sensor
Power supply	4 batteries AAA LR03 1.5 V
Battery life	180 hours
European directives	2004/108/EC EMC ; 2006/95/EC Low Voltage ; 2011/65/EU RoHS II ; 2012/19/EU WEEE

OPERATING PRINCIPLES

Piezoresistive sensor

The pressure deforms the silicon layer. This layer deformation generates a voltage at its terminations. This voltage is proportional to the pressure which is applied.



SUPPLIED WITH

Instruments are supplied with an adjustment certificate, a soft case and 2 x 1 m of silicone tube.



ACCESSORIES

- Calibration certificate
- Soft case
- Magnetic protective housing



Only the accessories supplied with the device must be used.



MAINTENANCE

We carry out calibration, adjustment and maintenance of your instruments to guarantee a constant level of quality of your measurements. As part of Quality Assurance Standards, we recommend you to carry out a yearly checking.

GUARANTEE

Instruments have 1-year guarantee for any manufacturing defect (return to our After-Sales Service required for appraisal).

PRECAUTIONS FOR USE

Please always use the device in accordance with its intended use and within parameters described in the technical features in order not to compromise the protection ensured by the device.

USE OF THE INSTRUMENT

Take a measurement

- Switch on the instrument by pressing on **“On/Off/Hold”**.
The instrument displays its name “MP55”.
- Press briefly and successively on **“Select”** to change the unit.
Available units for MP55 are : mbar, mmHg et hPa.

Hold the measurement

During measurement :

- Press briefly on **“On/Off/Hold”** to hold measurement.
“Hold” appears on the screen and the measurement is fixed.
- Press again briefly on **“On/Off/Hold”** to exit the Hold function.

How to change batteries

- Remove the front part at the back of the instrument.
- Replace used batteries by new batteries AAA LR03 1.5 V.
- Replace the front.

Auto shut-off : the instrument switches off if not used during 20 minutes.



Once returned to KIMO, required waste collection will be assured in the respect of the environment in accordance with European guidelines relating to WEEE.

www.kimo.fr

Distributed by :



EXPORT DEPARTMENT
Tel : + 33. 1. 60. 06. 69. 25 - Fax : + 33. 1. 60. 06. 69. 29
e-mail : export@kimo.fr