

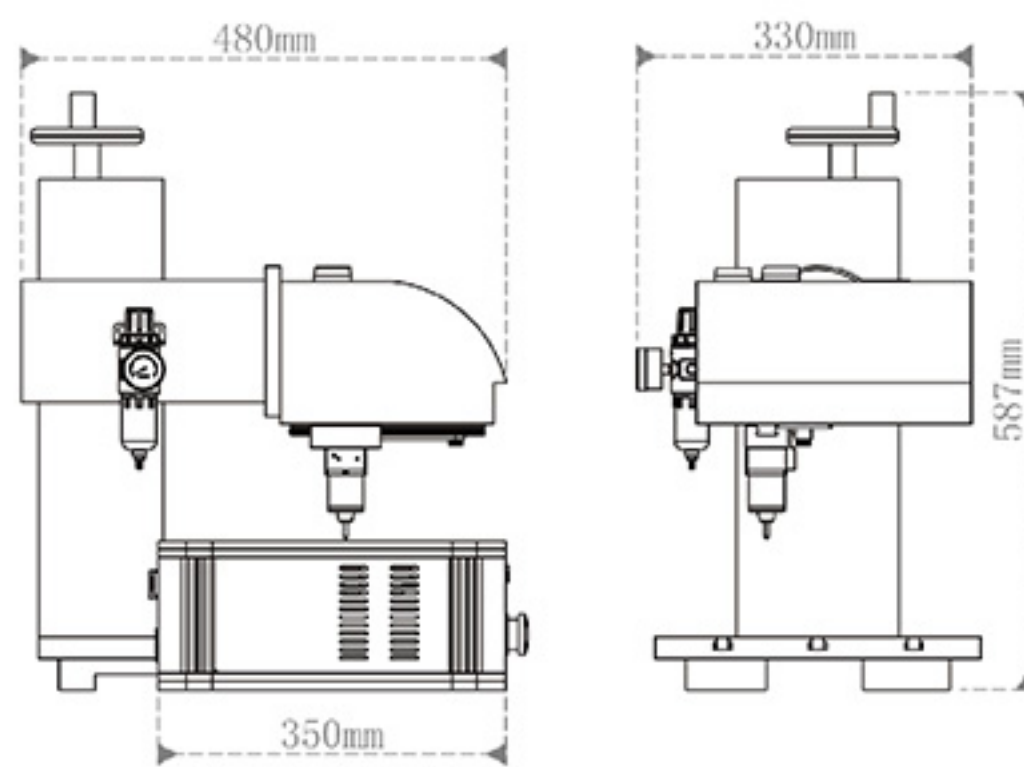
## Efficient. Reliable.

The compact table design enables you to mark flawlessly and efficiently. Because there is no air pump attached, JZ115D can relocate easily, and the electrically powered system will make the marking process quieter. Built-in programming system with an industrial microcomputer and multiple USB ports allows you to work without a computer. Able to mark in Chinese and English characters, Arabic numbers, automatic Serial numbers sequence, VIN code, QR code, etc.



## Electric Series JZ115D

Electric-Powered  
Marking System



## Pneumatic Series JZ115P

Conventional Pneumatic  
Marking System



## Stable. Robust.

Compare to electrically powered marking system, pneumatic marking system are more stable and powerful. Adjustable marking depth allows different marking effects, suitable for all metal parts. Same as the electric marking system, pneumatic marking system also has the built-in programming system with an industrial microcomputer and multiple USB ports allows you to work without a computer.