

Electric Series

HBS 380D

Portable Electric
Marking System



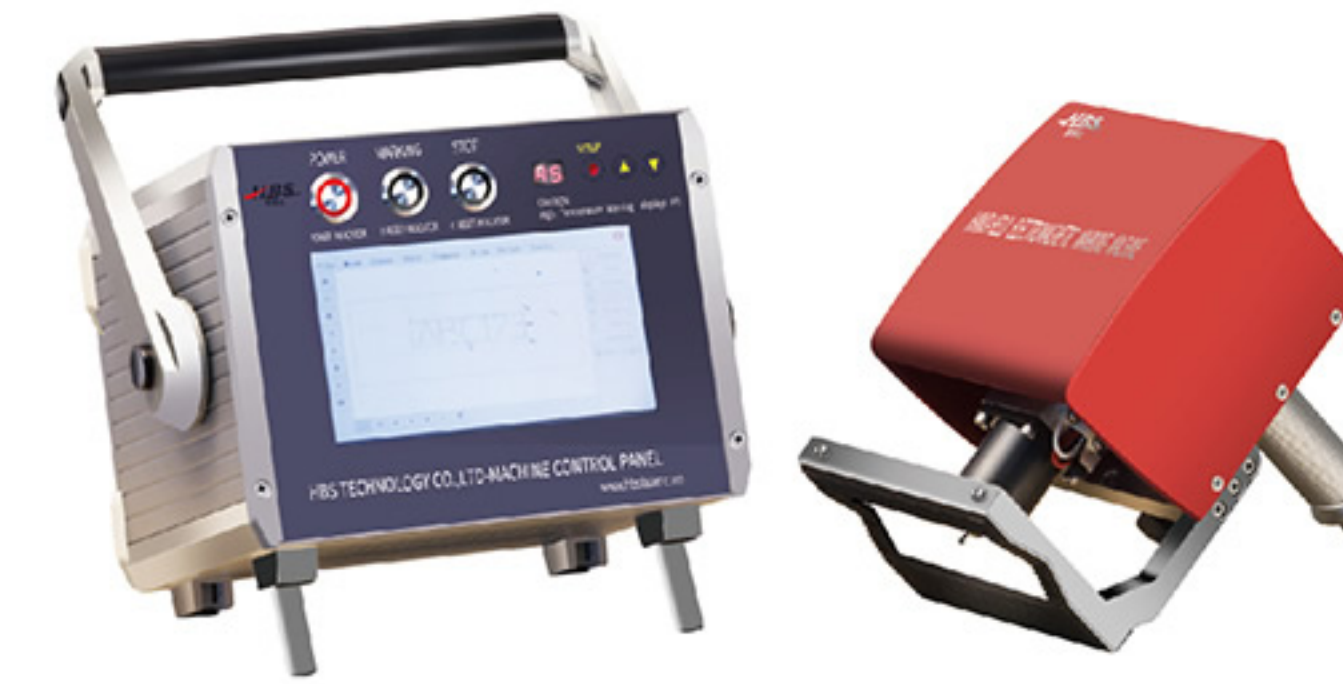
Simple.

Robust.

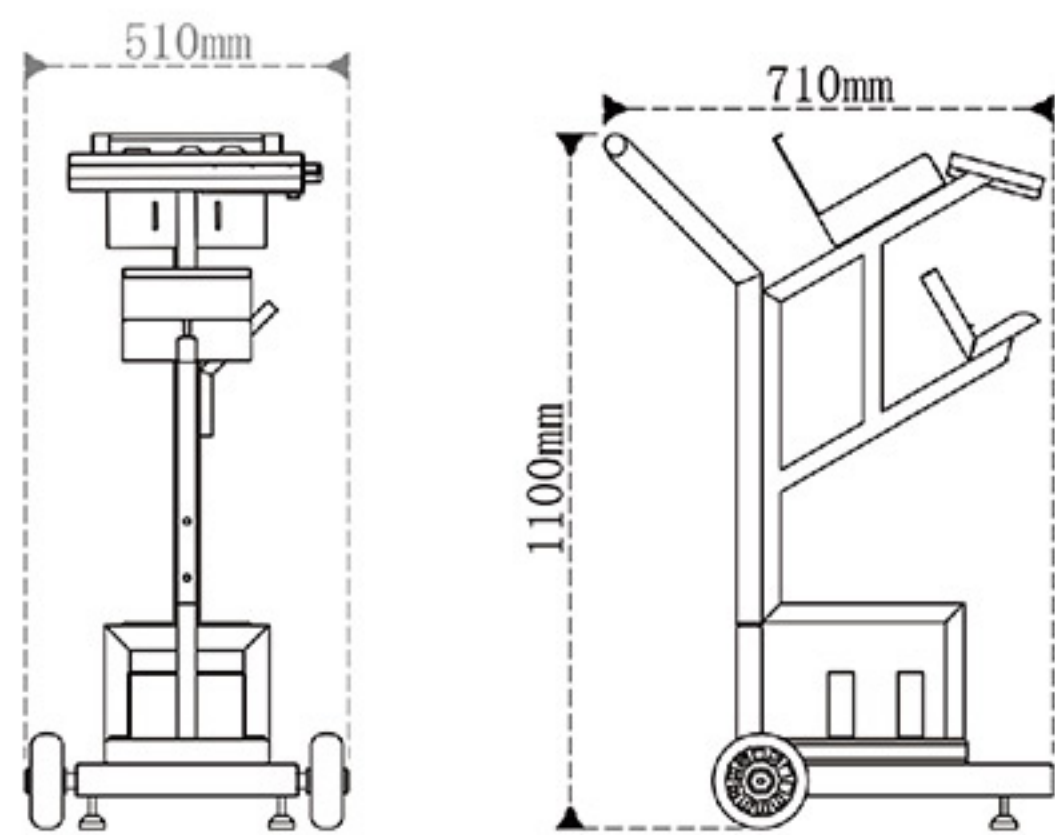
Portable.

Electrically powered dot peen marking system 380D can function without the compressed air supply. The marking head only connects with the supply unit, very easy to carry around and can mark on heavy, complex or large objects. Even though 380D is powered by electricity, it is still powerful as the pneumatic marking systems, marking results will be sharp and clean.

The user-friendly interface has integrated into the supply unit, very easy to learn and operate. We have also designed a customized moving cart for 380D which significantly enhanced its mobility. Besides, the cart has reserved a spot for portable battery allows 380D to work more freely and move to a complex environment as you need. Besides, 380D can be put on the table as well, simply install the marking head on the mounting rack and 380D will be ready to mark.



380D can be put on the table as well, simply install the marking head on the mounting rack and 380D will be ready to mark.



Packing Details	
Dimension(cm)	62cm*47cm*30cm
Net Weight(kg)	13kg
Gross Weight(kg)	17kg

(Marking Head & Supply Unit Only)

Technical Parameter

Model	HBS-380D	Marking Speed	2 - 5 Characters Per Second
Marking Area	30mm x 80mm	Power supply	AC220V/±10%/50Hz
Marking Pattern	Line, Arc, Angularity, Dot-Matrix	COM Port	RS232, USB
Marking Depth	≅ 0.3mm	Power Consumption	≅ 350W
Marking Hardness	≅ HRC62	130D Marking Area	30mm x 130mm
Application	2D code, dot matrix, bitmap, VIN, etc.	6130D Marking Area	60mm x 130mm