

Universal micrometers

Thanks to the seven interchangeable measuring inserts, which are available as an option, you are very flexible with these micrometers.

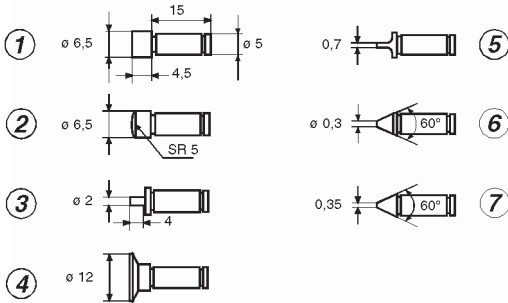
- Measuring range: 0-200 mm.
- Analog: graduation 0.01 mm, digital: resolution 0.001 mm.
- Non-rotating spindle.
- Insert shaft: $\varnothing 5$ mm.

Digital

- mm/inch conversion.
- ABS/INC switchable.
- On/off switch.
- Preset (except 909.785).
- Power supply: 1 battery type V357.



NEW



No.	Item No.	Description measuring faces
Measuring inserts, per pair:		
①	906.788	flat
②	906.789	spherical
③	906.790	small
④	906.791	disc
⑤	906.792	knife/flat
⑥	906.793	point
⑦	906.794	knife
	906.795	Set of 7 pairs

Item No.	Measuring range/mm	Accuracy mm
Analog, without measuring inserts:		
906.780	0- 25	± 0.004
906.781	25- 50	± 0.004
906.782	50- 75	± 0.005
906.783	75-100	± 0.005
906.784	100-125	± 0.008
906.785	125-150	± 0.008
906.786	150-175	± 0.009
906.787	175-200	± 0.009
Digital, without measuring inserts:		
909.785	0- 25	± 0.004
909.786	25- 50	± 0.004
909.787	50- 75	± 0.005
909.788	75-100	± 0.005
909.789	100-125	± 0.008
909.790	125-150	± 0.008
909.791	150-175	± 0.009
909.792	175-200	± 0.009
Option:		
836.535	Spare battery	