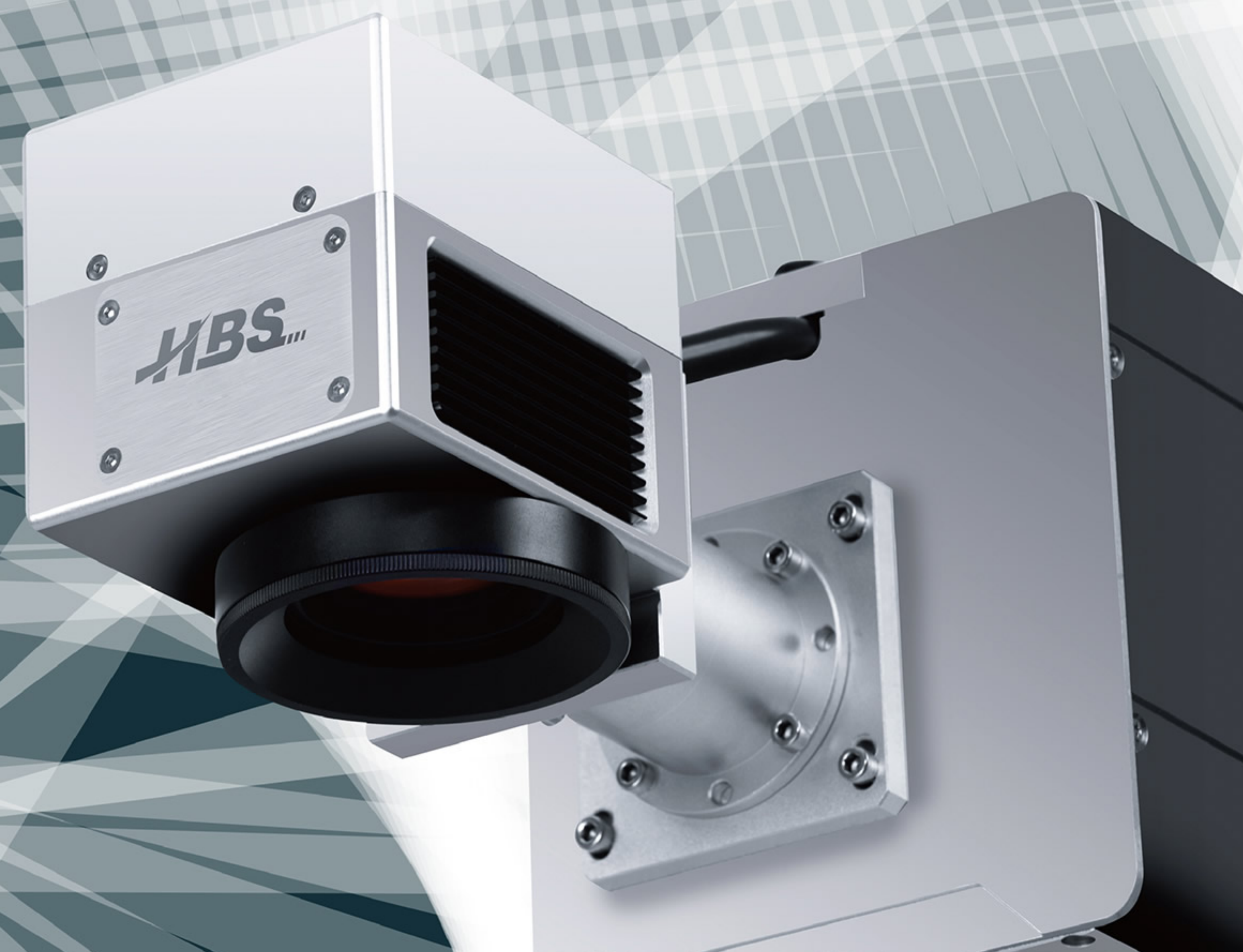




Laser System and Solutions

Professional. Precision. Perfection.



Beijing HBS Science & Technology Co., Ltd.
503, JingxiGuoji, No. 108 Beishagou,
Haidian, 100089, Beijing, China
Tel: +86-10-88585031

Email: info@hbslaser.com
Phone: +86-13910071973
Skype: hbs-markingmachine
Website: www.hbslaser.com





Henry Gu

Beijing HBS Science & Technology Co., Ltd.
Chief Executive Officer & Founder

Beijing HBS Science & Technology Development Co., LTD (HBS) specialized in developing and manufacturing laser system with perfect quality and excellent after-sales services.

After years of continuous efforts, we become one of the largest and leading laser equipment suppliers in China. HBS had provided numerous well-known companies with wide-ranging solutions and reliable marking equipment, with a sustainable and robust traceability to the industry.

It's our great honor to be here and to share our visions with your esteemed company. Thank you for your interests and trust in our products, your support to our products brings up our confidence, proud and self-realization. HBS company always concentrate on products innovating, upgrading, and researching to meet our customers' requirements and satisfaction.

Today, HBS laser systems are widely used and accepted all over the world, covering Europe, America, Canada, Mexico, Brazil, South Korea, India, Thailand, Vietnam, Malaysia, Singapore, and Indonesia, etc.

After years of innovation and development, we are very confident about our products in China and abroad. We have become one of the leading Chinese marking specialists and will always stand in front of the laser solution industry.

As one of the leading laser marking system manufacturers in China, we have customers all over the world. Laser Source is the most important part in a laser system, so that the quality of the laser source will directly affect the marking effects. To ensure the finest laser marking quality, we only partner with the best laser source manufacturer: China Raycus and Germany IPG, etc.

When comes to manufacturing, quality always comes first. We choose our supplier very carefully , from the laser source to the galvanometer, from the industrial tablet to a single power button, from the lens to a single screw, from the electric lifting motor to a single USB port. We inspect every detail of our products before we assemble them in our factory, and this is our first step of making sure what we made is precisely what you want.

The outstanding service is what made HBS today. When you have the marking needs, all you have to do is provide the sample and your idea of what you want to mark on your products. We will take care of the rest, from designing to marking, and send the sample back to you with the best marking result.

Founded in
2001

CONTENTS


Introduction	Introduction	Page 02
	Laser Marking Applications	Page 06
	Features of Laser Marking System	Page 08
<hr/>		
Fiber Laser Marking System	GQ Series	Page 10
	GQ Series 20A	Page 11
	GQ Series 20A1	Page 12
	GQ Series 20C & 20D	Page 14
	GQ Series 20B & 20E	Page 16
	GQ Series 20F	Page 18
<hr/>		
MOPA Laser Marking System	MOPA	Page 19
<hr/>		
DB Laser Marking System	DB 10A & 10B	Page 20
<hr/>		
CO ₂ Laser Marking System	CO ₂ 30A	Page 23
	CO ₂ 20 & CO ₂ 30B	Page 24
<hr/>		
Dot Peen Marking System	Electric Dot Peen Marking System	Page 25
	Pneumatic Dot Peen Marking System	Page 25
	Portable Dot Peen Marking System	Page 26
<hr/>		
Laser Cutting & Cleaning System	Laser Cutting System	Page 28
	Laser Cleaning System	Page 29
<hr/>		
Service	Core Parts & Accessories	Page 30
	Our Service	Page 31



Fiber Laser Marking System
High marking precision, widely used in metals and non-metals such as iron, aluminum, s. steel, alloy, hard plastics, etc.




CO₂ Laser Marking System
Widely used in many non-metal materials, such as leather, fabric, paper, woods, acrylic, etc.




DB Marking System
Specialists for high processing speed through high pulse frequencies. Widely used in non-metal materials, especially for plastic materials.



MOPA Marking System
Especially used for marking with different colors on metal materials, such as aluminum, copper and brass, etc.




Electric Marking System
Electric dot peen marking system, widely used in all metals, like automobile body, sheet metal, nameplate, etc.



Pneumatic Marking System
Pneumatic marking system which normally used in all metals, like automobile body, sheet metal, nameplate, etc.

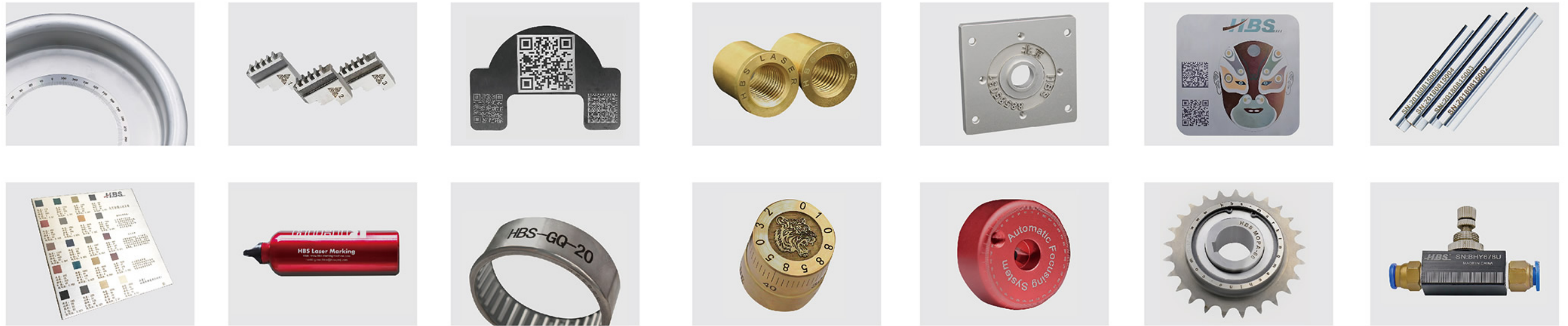


Laser Cutting System
High-precision high-speed laser cutter, used in cutting stainless steel, carbon steel, aluminum, and other metal materials, etc.



Laser Cleaning System
Robust laser cleaning system, ideal for removing rust, oil, stains, dirt, paint, coating, etc.

Metals



Metals: Most of the metals can be marked on with any designs that you want. No matter it's a logo, a phrase, a QR code, HBS products will help you achieve the best marking quality.

Plastics



Plastics: By using techniques like Coloring, Ablating, Foaming, the plastic materials can be perfectly marked with the results that you want.

Other Materials

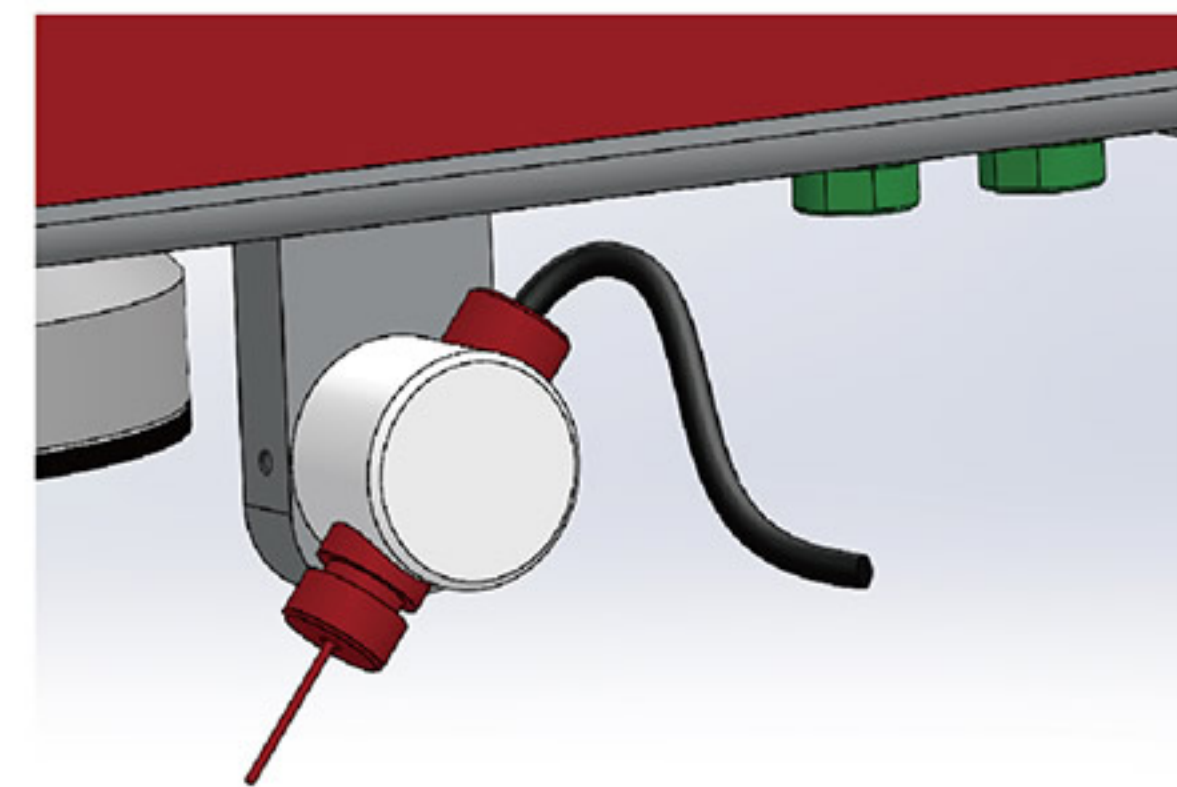


A Wide Range of Materials: Our experienced engineer can provide the perfect laser marking solution to meet your needs of marking on Leather, Woods, Glass, Organic Materials, Semiconductor, Fabrics, etc.

Smart Marking

Pilot Laser

The pilot laser will help you with the alignment process, it can either show a box where your contents will locate inside, or it can show you the exact contexts that you want to mark on the workpiece.

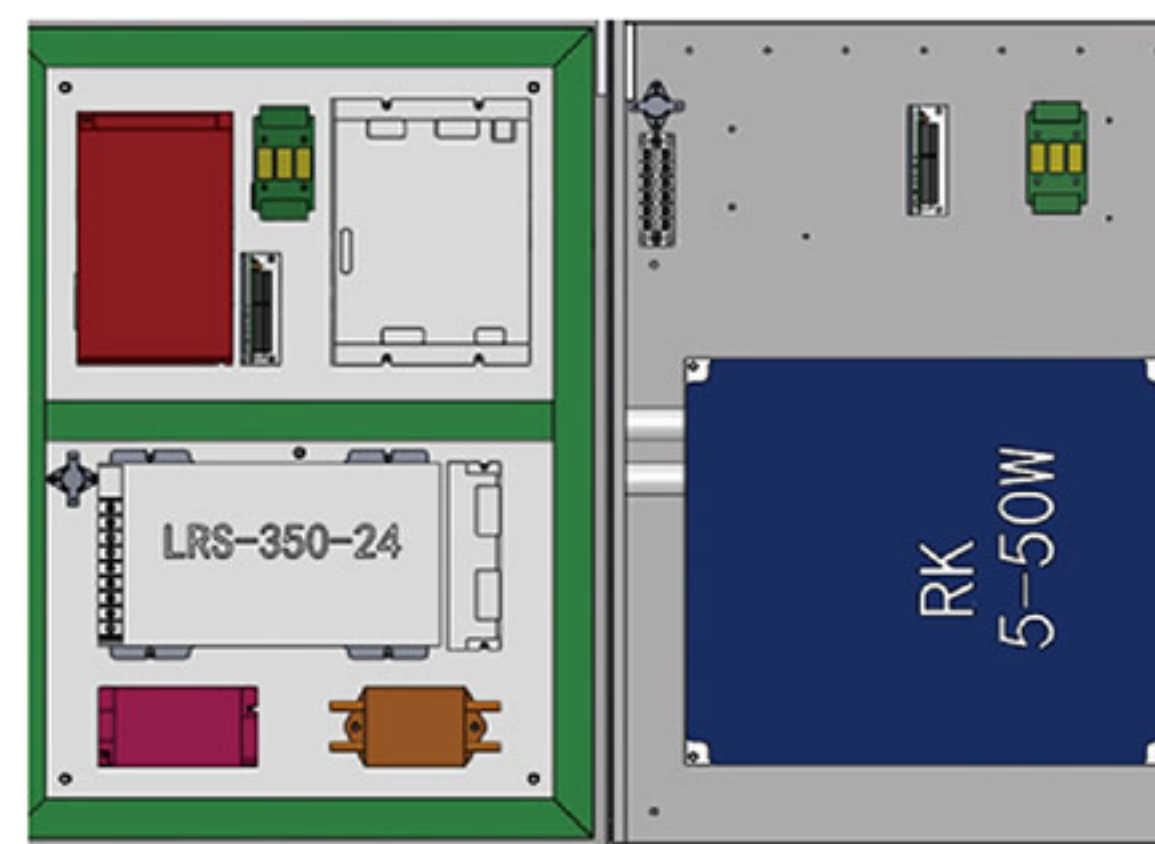


Focus Finder

Our easy to use focus finder system, enable you to find the correct focal points with no problems. It ensures the precise laser marking process and save you more time compare to the one without focus finder system.

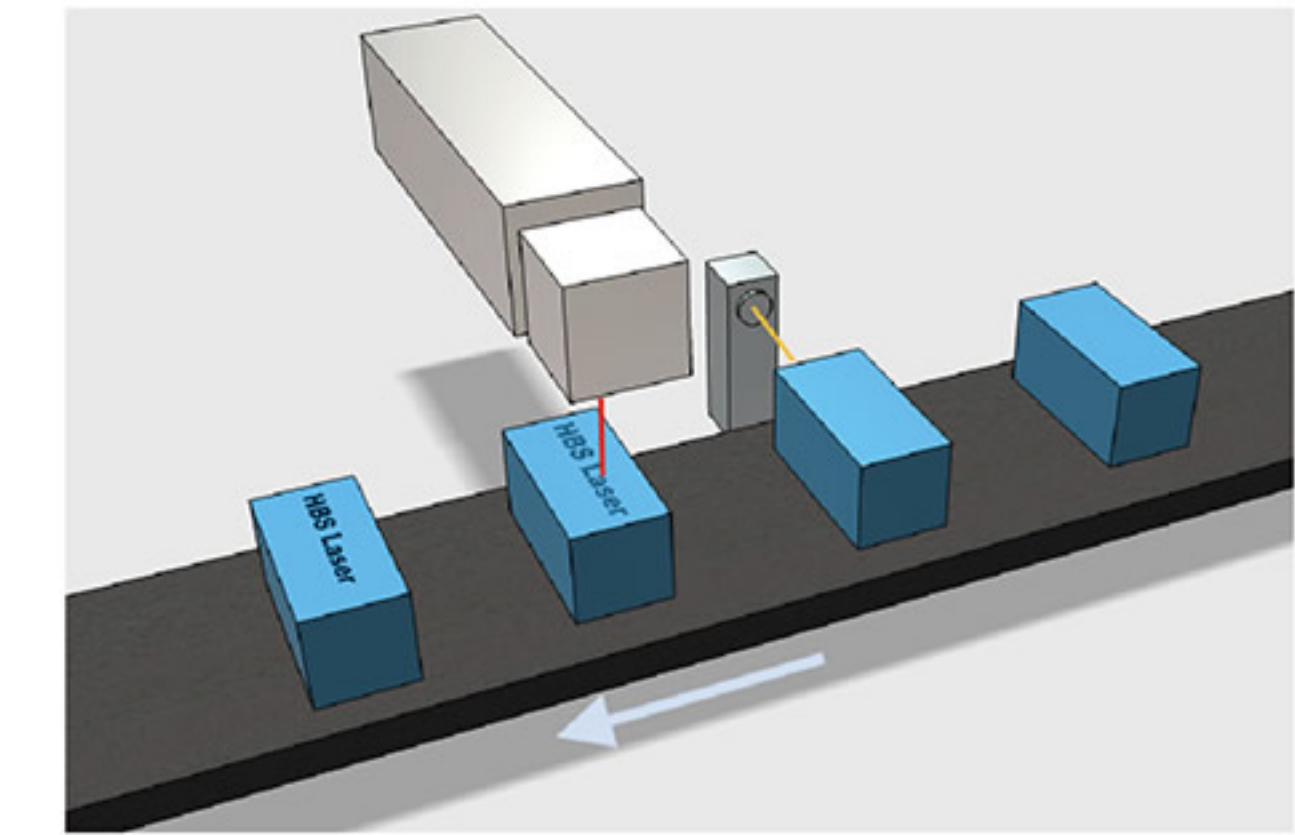
Internal Structure of Supply Unit

All control units of our marking system are well organized and integrated in our supply unit. If maintenance or system upgrade are required, our integrated internal structure will save you more time.



EU Certification

To ensure the top quality and satisfactory user experience, our HBS Products fully comply with EU laser safety regulations. Your purchase decision will be simple and easy.



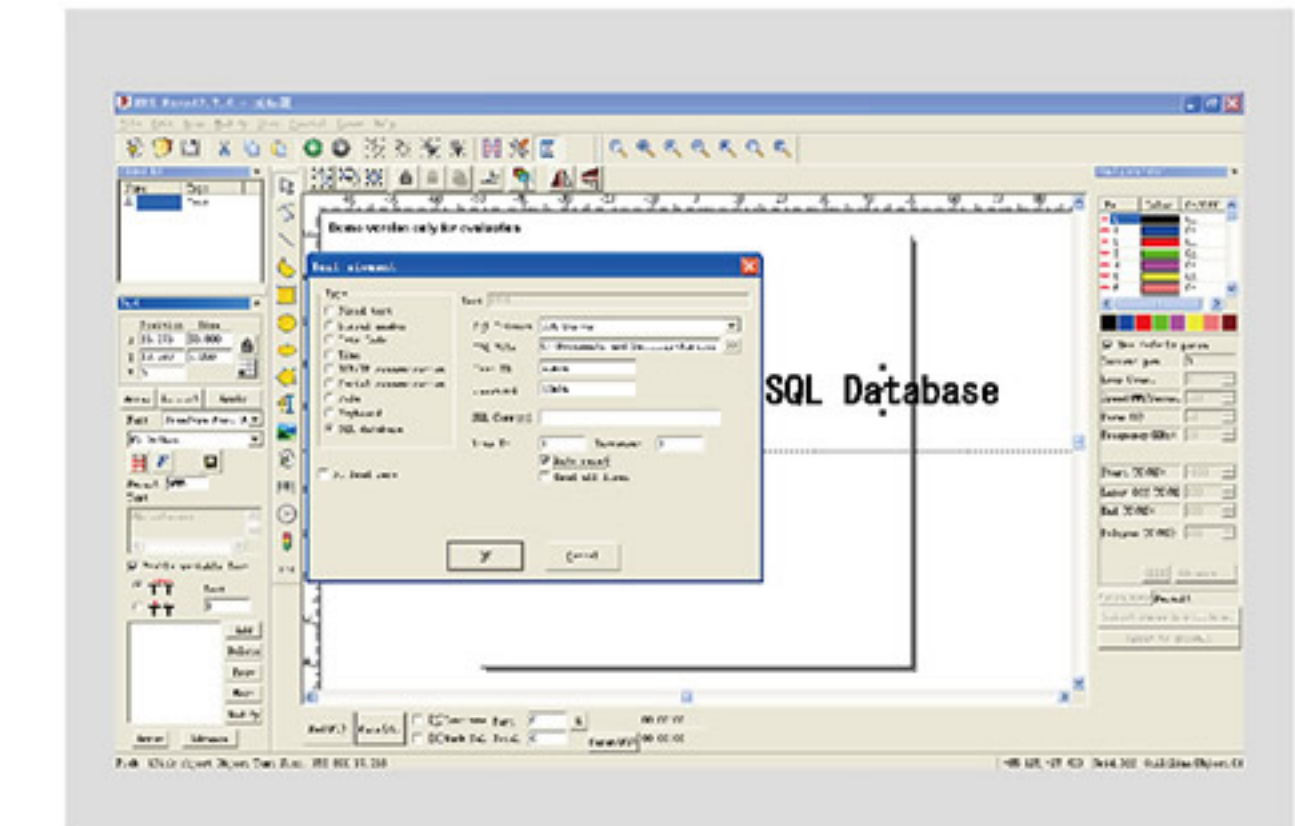
Marking On The Fly

In HBS, we offer solutions to integrate our products into your production line. Easy installation and integration. When the sensor detects objects, laser system will start marking on the objects.



Photo Laser Printing

No matter what you want to mark, our products can deliver the best results to you. From a simple sentence to a complex photo, our products will always exceed your expectations. Our software support image formats, like jpg; bmp; gif; tga; png; tif.



HBS Integration Module

In HBS, we strive to make your factory more efficient and smarter, and our HBS Software has integrated with SQL database and also equipped with additional extension port, which gives our software the ability to communicate with databases and other controlling parts.

GQ Series

Fiber Laser Marking System

GQ Series GQ 20A

Open Table Design Marking System



Technical Parameter

Laser Power	20W,30W, 50W,100W	Standard Marking Area	110mm x 110mm
Laser Brand	RAYCUS, IPG	Marking Depth	≤1.2mm (adjustable)
Laser lifetime	100,000(Theoretically)	Marking Speed	≤12000mm/s
Laser Wavelength	1064nm	Min. Line Width	0.01mm
Laser medium	Yb: fiber	Min. Character Size	0.5mm
Beam Quality	<1.5	Repetition Frequency	≤100KHz
Power Consumption	≤500W	Repetition Precision	±0.001mm
Power Supply	220V/50Hz/10A	Operation Temperature	-10℃-60℃
Cooling method	Air cooled	Humidity	5-95%
Control System	Win7, Win8, Win10, Win XP	Marking Formats	ai., plt., dxf., tiff., jpg., etc.

Optional Lens

Model	HBS65	HBS170	HBS220	HBS300
Marking Area	65*65(mm)	170*170(mm)	220*220(mm)	300*300(mm)
Focal Length	100mm	250mm	330mm	420mm

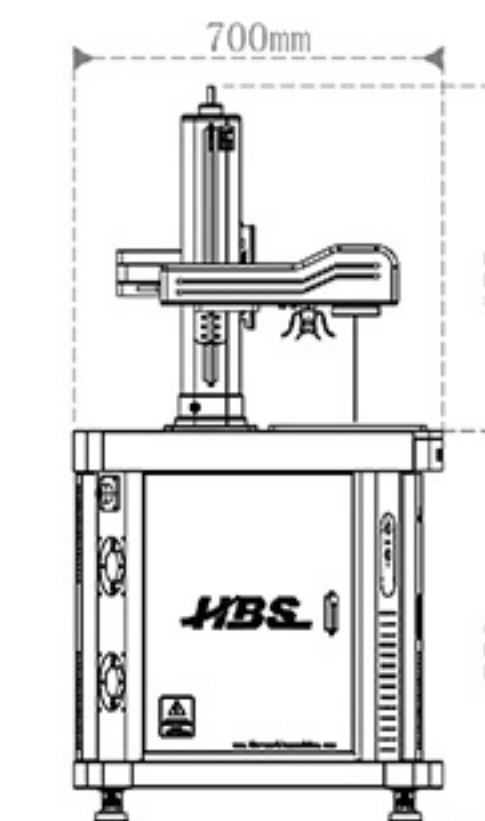
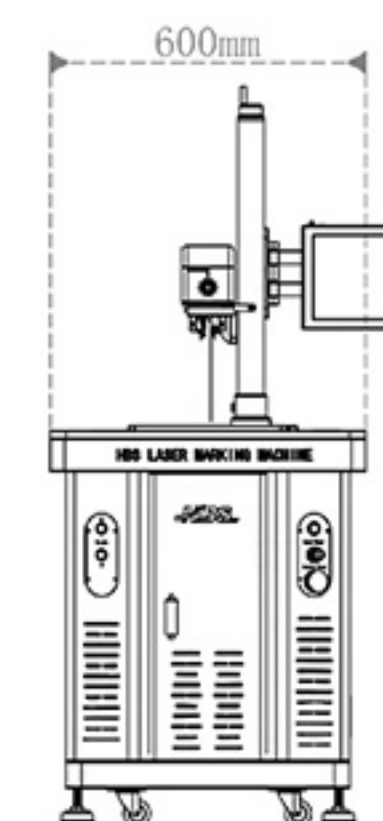
Specifaciton of All Fiber Laser Marking System

Focus finder system	Extremely fast and high precision
Motorized Z axis system	No consumable parts, no maintenance required
Delicated internal designs and lines	Robust under harsh environment



Diverse.
Precise.
Easy to use.

Open table design, which gives you the maximum flexibility during your marking process. You can put many different sizes of workpieces on the table. With our focus finder system, pilot laser, easy to use software, motorized Z axis, your production process will be more efficient and productive. Besides, the open table design also makes it easier for you to integrate GQ 20A into your production line.



Packing Details

Dimension(mm)	72cm*82cm*99cm
Net Weight(kg)	75kg
Gross Weight(kg)	95kg

GQ Series

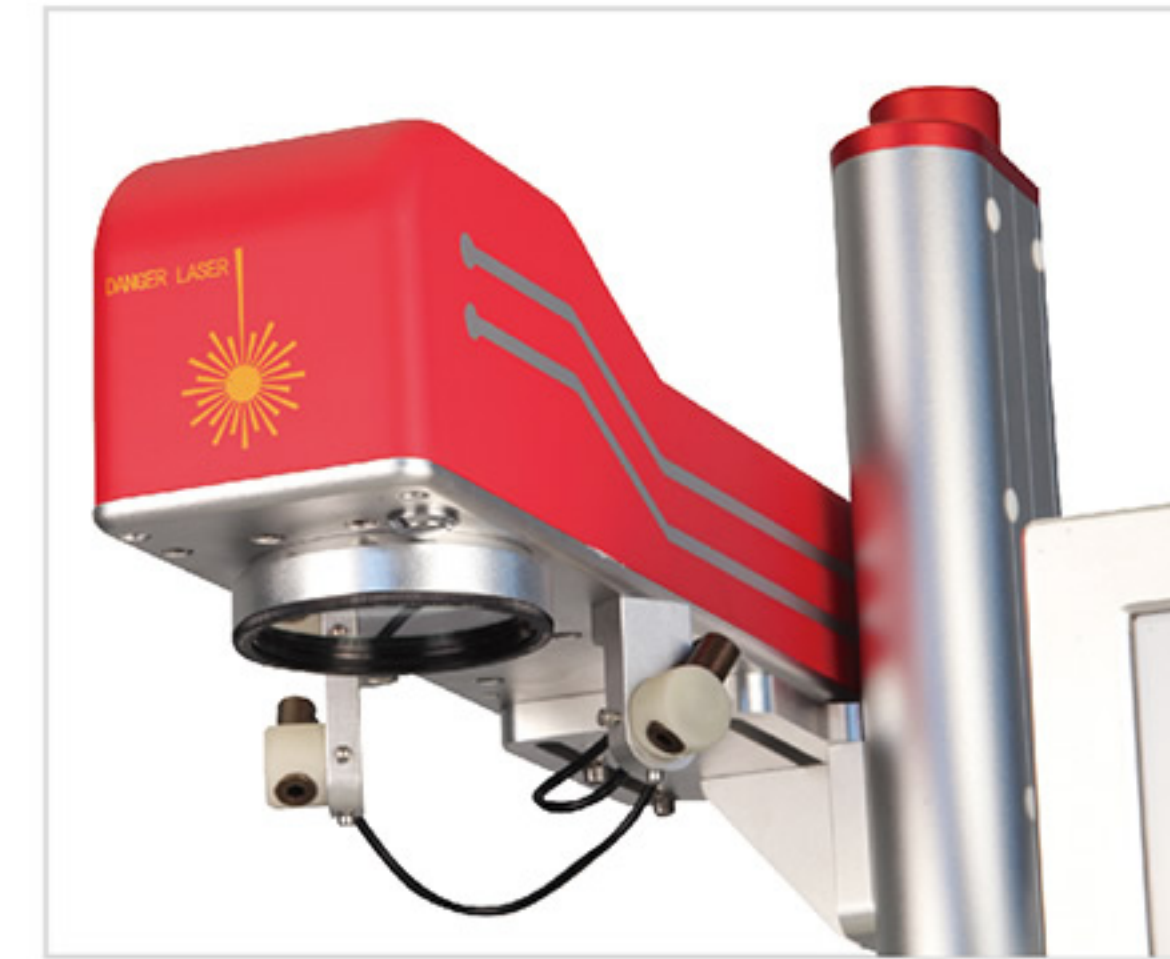
GQ 20A1

Enclosed Design
Marking System

Enclosed.

Efficient.

Especially Safe.



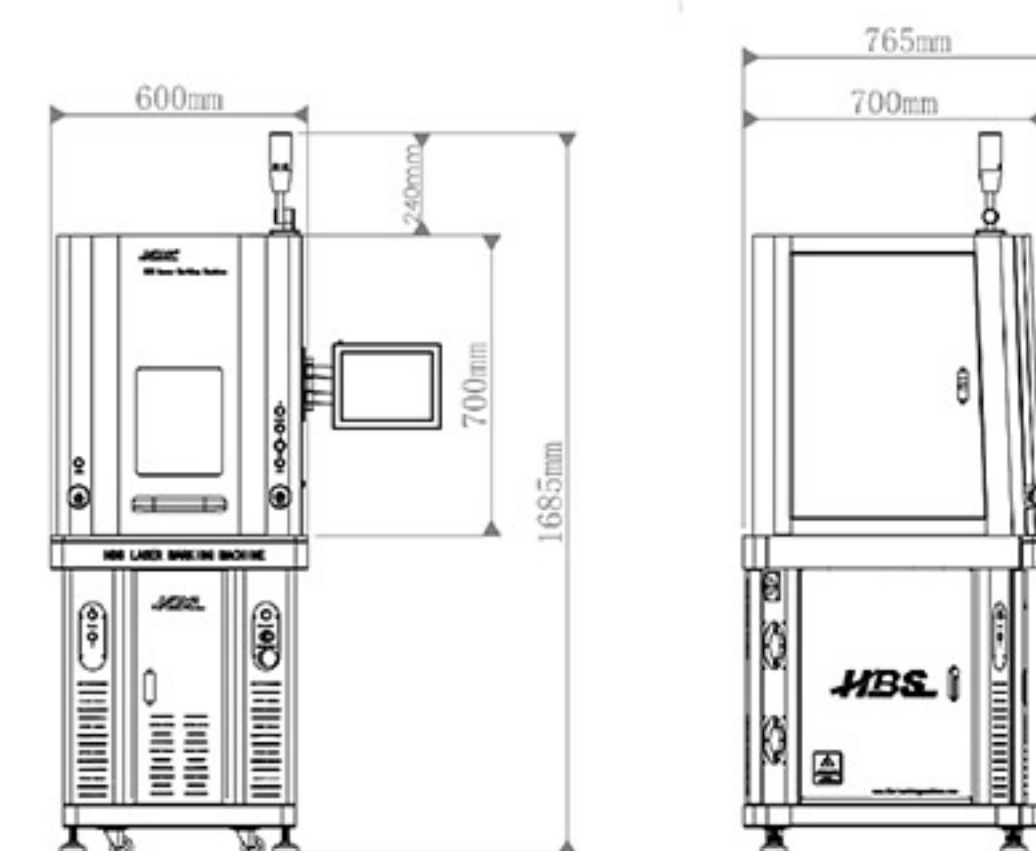
Focus Finder

Easy to use focus finder system, ensures the precise laser marking process and save you more time.

GQ 20A1 has the newly enclosed design which fully complies with German safety regulations.

Integrated self-shutdown system and the optional waste air exhaust system ensure the health condition and the safety of the operating personnel. When the door opens unexpectedly, or emergency button is pressed down, the system will automatically shut down.

From 20W to 100W, we will provide the most suitable laser marking source based on your needs. No matter you want annealing, engraving, ablating, etc., GQ 20A1 can achieve your desired results with no problem. Focus finder system, pilot laser, easy to use software, motorized Z axis, all integrated features will make your marking process more efficient and productive.



Packing Details	
Dimension(cm)	72cm*82cm*99cm*2boxes
Net Weight(kg)	105kg
Gross Weight(kg)	145kg

GQ Series

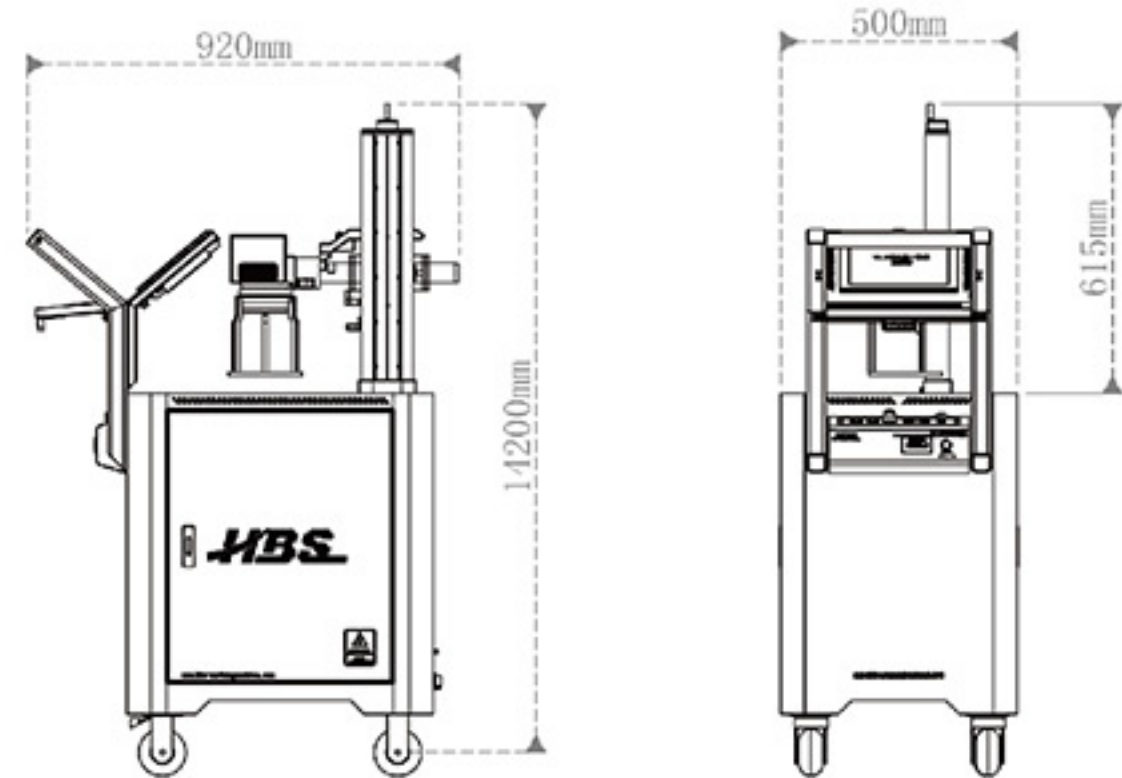
GQ 20C

Hand-held Fiber Laser
Marking System



- Robust.**
- Portable.**
- Flexible.**

GQ 20C has a portable laser marking head and robust laser source, makes it easier when you are marking complex, heavy objects. Pre-adjusted focus point allows you to mark quick without checking the focus system. Air-cooled laser source makes it robust under harsh environment, and optional battery powered mode allows you go deep into a complex environment and mark with no power supply cable attached.



Packing Details	
Dimension(cm)	93cm*72cm*118cm
Net Weight(kg)	100kg
Gross Weight(kg)	135kg

GQ Series

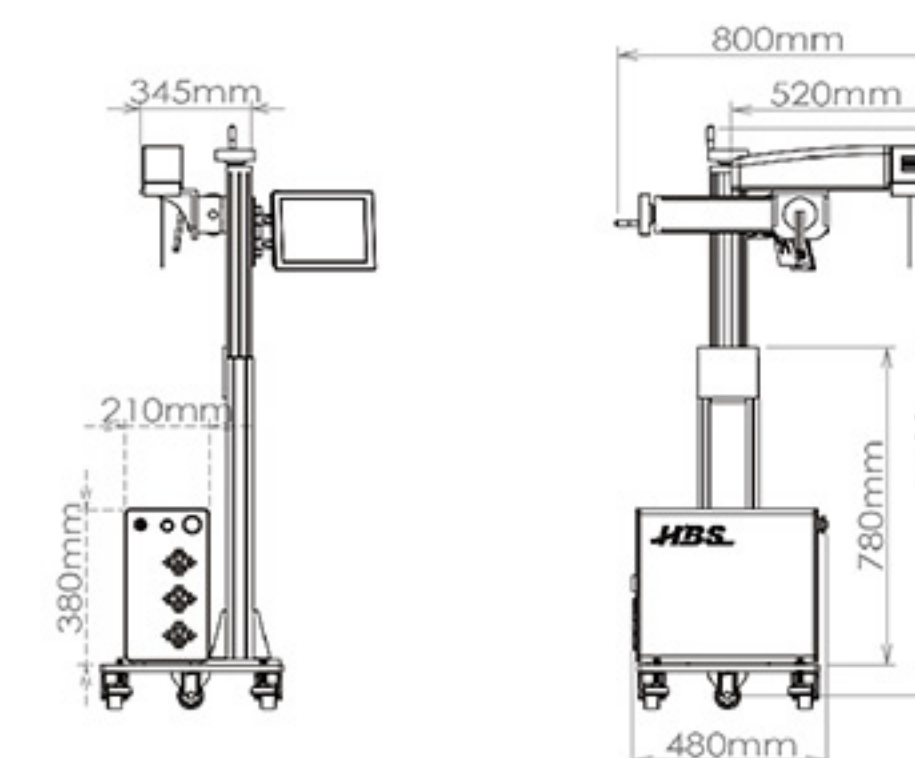
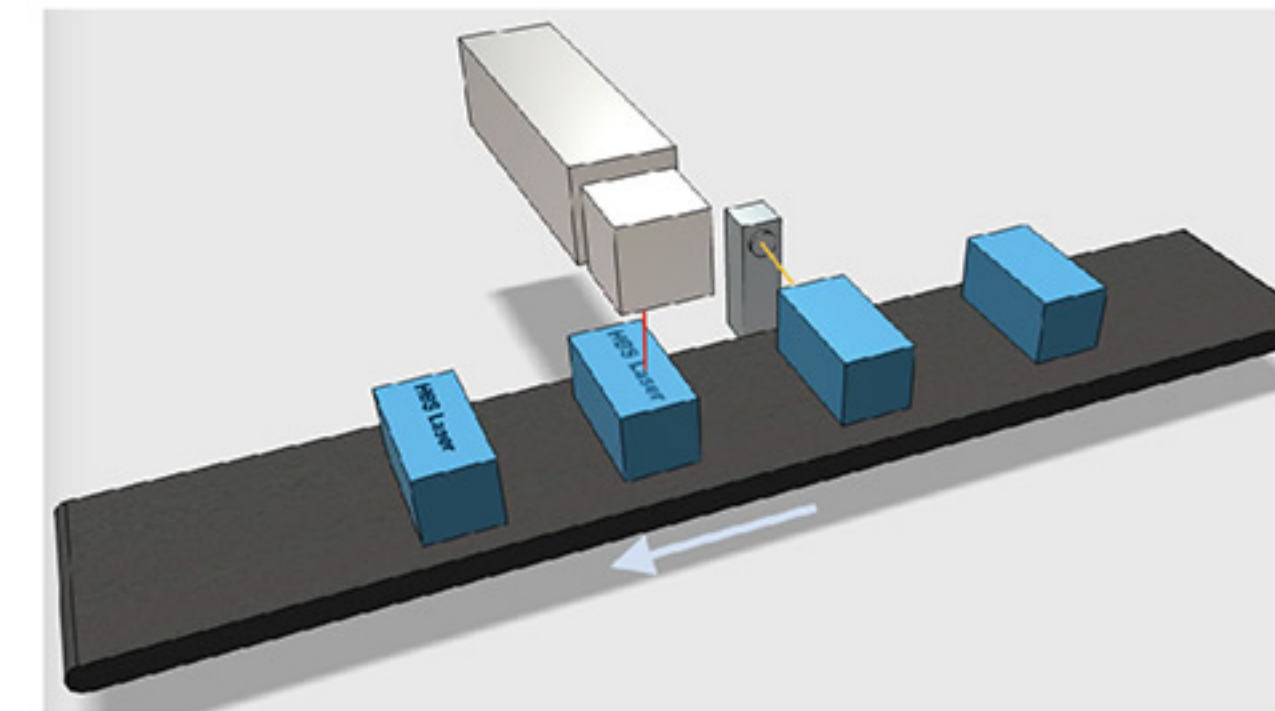
GQ 20D

Flexible Marking
System



- Stable.**
- Reliable.**
- Maximum Flexibility.**

In fact, most of our products can be integrated into the mass production line easily. However, our GQ 20D is designed with maximum flexibility which makes it the most suitable one for marking on the fly. Simply move GQ 20D to wherever you need it be, adjust X, Y, Z axis, and after simple sensor installation, your GQ 20D are all set and ready to mark.



Packing Details	
Dimension(cm)	120cm*88cm*38cm
Net Weight(kg)	95kg
Gross Weight(kg)	120kg

GQ Series

GQ 20B

Compact Table Design
Marking System

GQ Series

GQ 20E

Mini Enclosed Design
Marking System



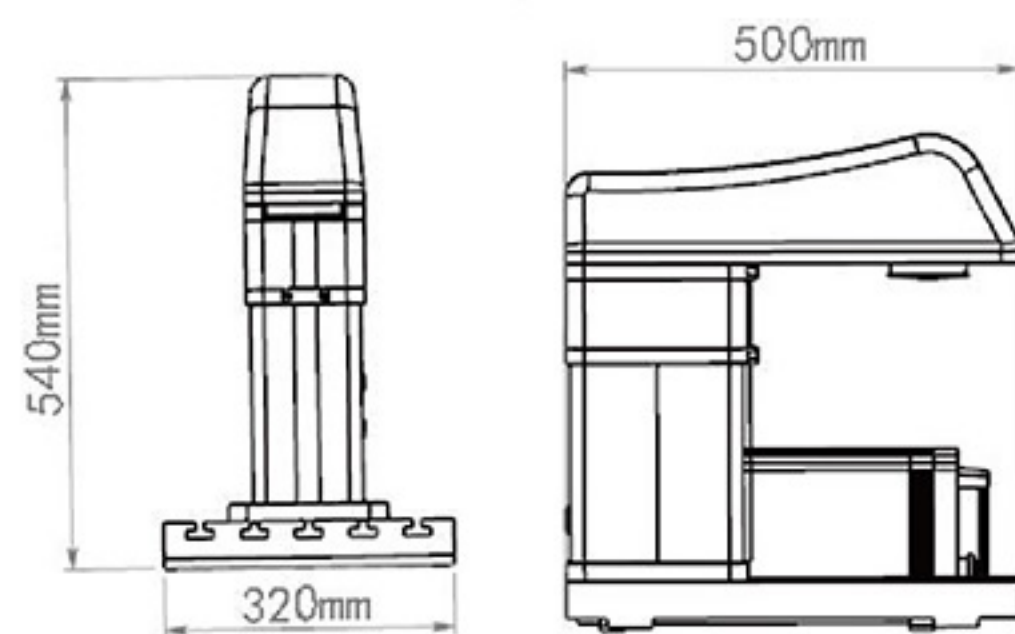
Compact.
Enclosed.
Safe.



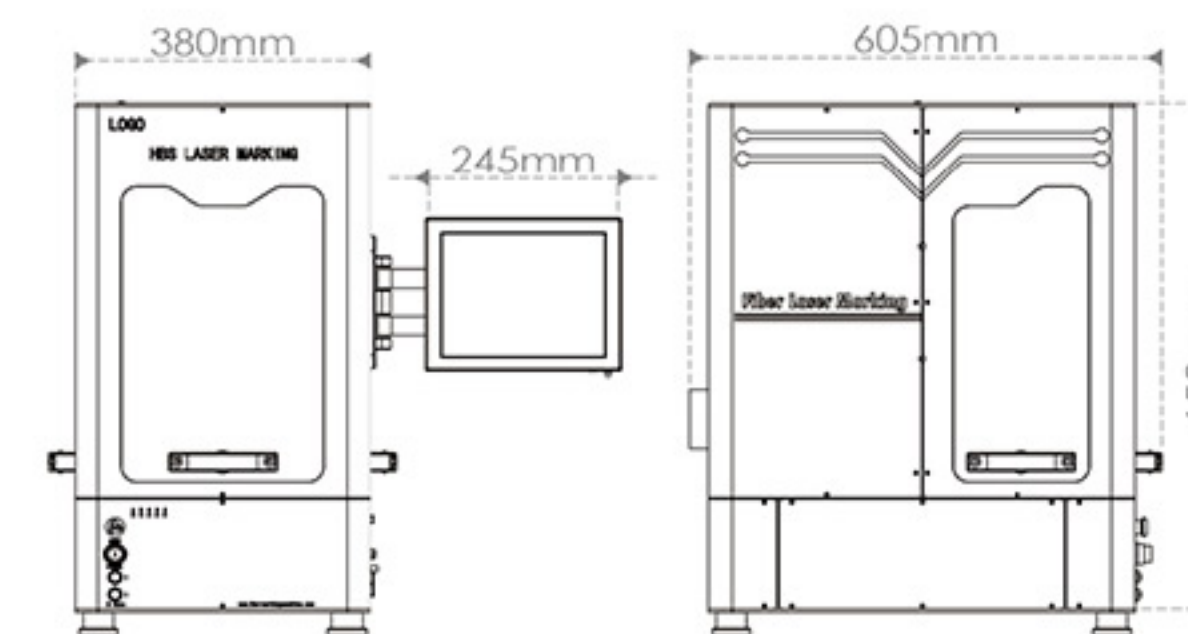
Easy. Simple. Reliable.

GQ 20B are designed for marking small and delicate workpieces. For such a small size marking system, you can simply put it on your working table. With our powerful laser source, focus finder system, pilot laser, user-friendly software, motorized Z axis, you can turn your desktop into a small laser marking station. Your design and marking process will be simple and easy.

The enclosed compact design, allow GQ 20E to be put on any table. Fully enclosed body ensures your health and safety. Meanwhile, the high-performance laser source assures you the fine quality of the marking results.



Packing Details	
Dimension(cm)	100cm*88cm*38cm
Net Weight(kg)	55kg
Gross Weight(kg)	65kg



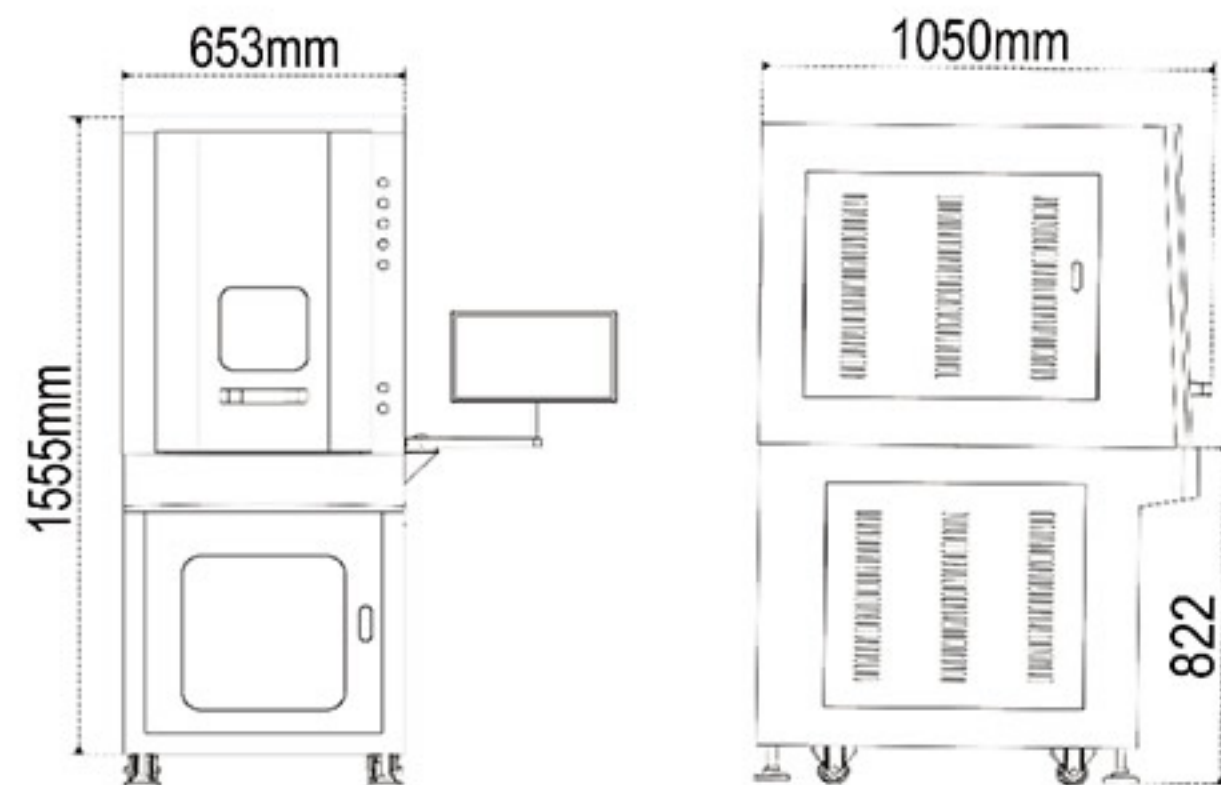
Packing Details	
Dimension(cm)	76cm*63cm*101cm
Net Weight(kg)	85kg
Gross Weight(kg)	101kg



GQ Series
GQ 20F
 Enclosed Marking
 Station

Mega body.
Mega capability.

GQ 20F are designed with enormous space, which make it easier for putting in large workpiece and install needed making accessories. Despite its expanded machine body, GQ 20F can still be integrate into your assembly line by simply detach- ing the side doors, and our engineers will help you with all the installation process, make sure GQ 20F fits in perfectly.



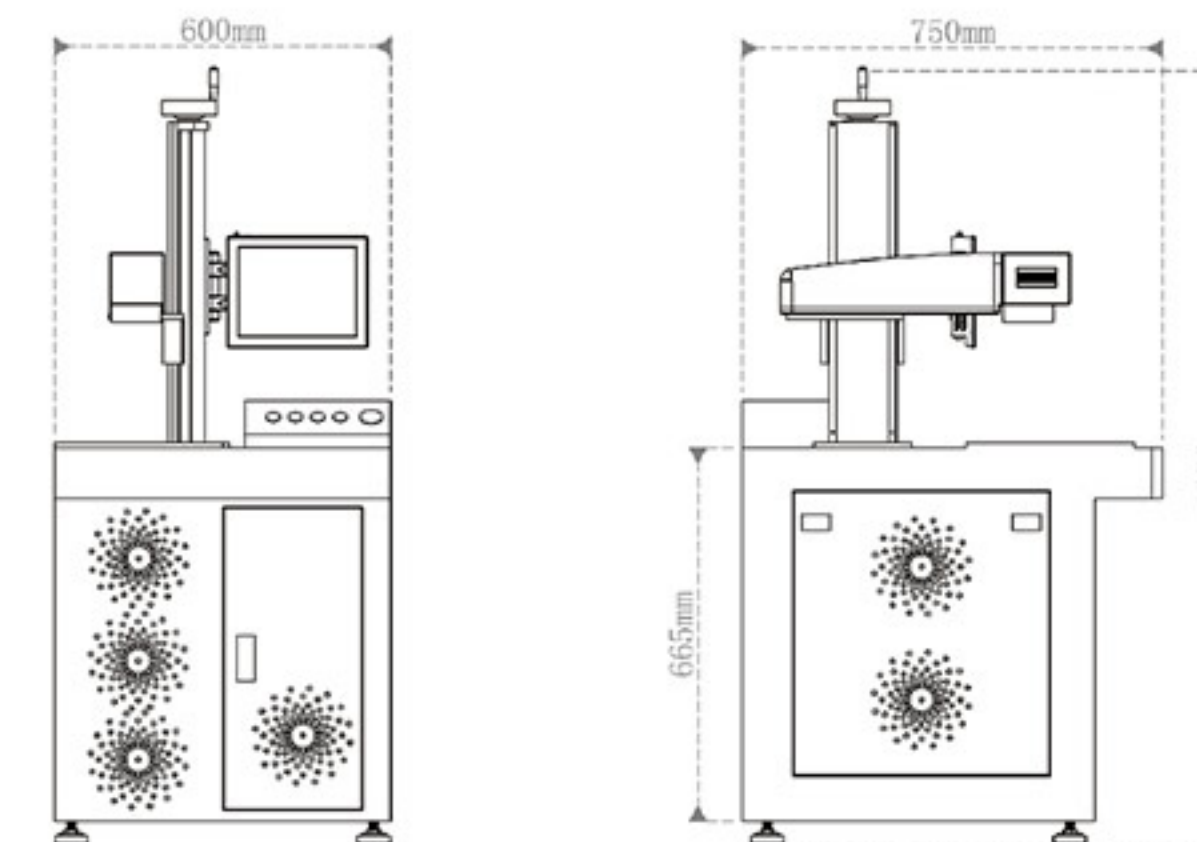
Packing Details	
Dimension(cm)	123cm*86cm*182cm
Net Weight(kg)	220kg
Gross Weight(kg)	280kg

MOPA

Ultra Fine Color
 Marking System

Fast. Finer. Diverse.

Our MOPA laser marking system has a more diverse application range, wider pulse width range and more flexible than the conventional Q-switch platform. The adjustable pulse width can indirectly affects the peak power, allows MOPA laser marking system to mark on a wide variety range of materials with high contrast results, and vivid colors on stainless steels. Finer Beam quality ensures the best marking results.



Packing Details	
Dimension(cm)	72cm*82cm*99cm
Net Weight(kg)	75kg
Gross Weight(kg)	95kg

Cost effective.
High precision.
Stable.

DB Series

DB 10A

Open Table Design
 Marking System

DB Series

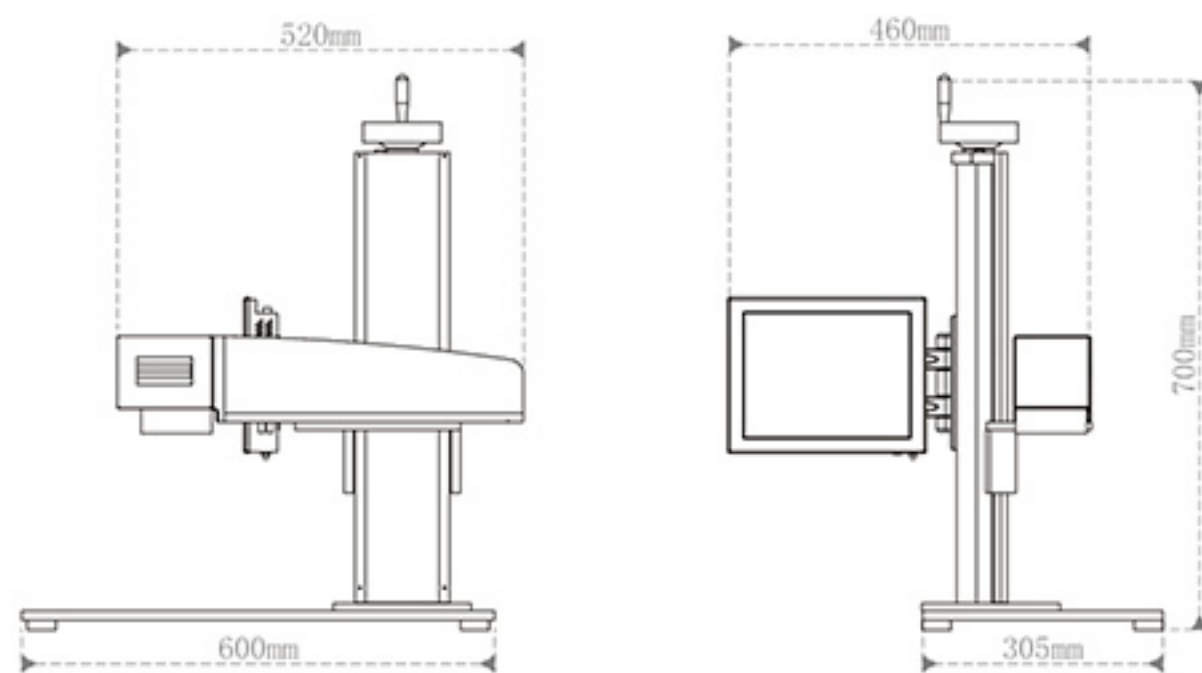
DB 10B

Compact Mini Design
 Marking System

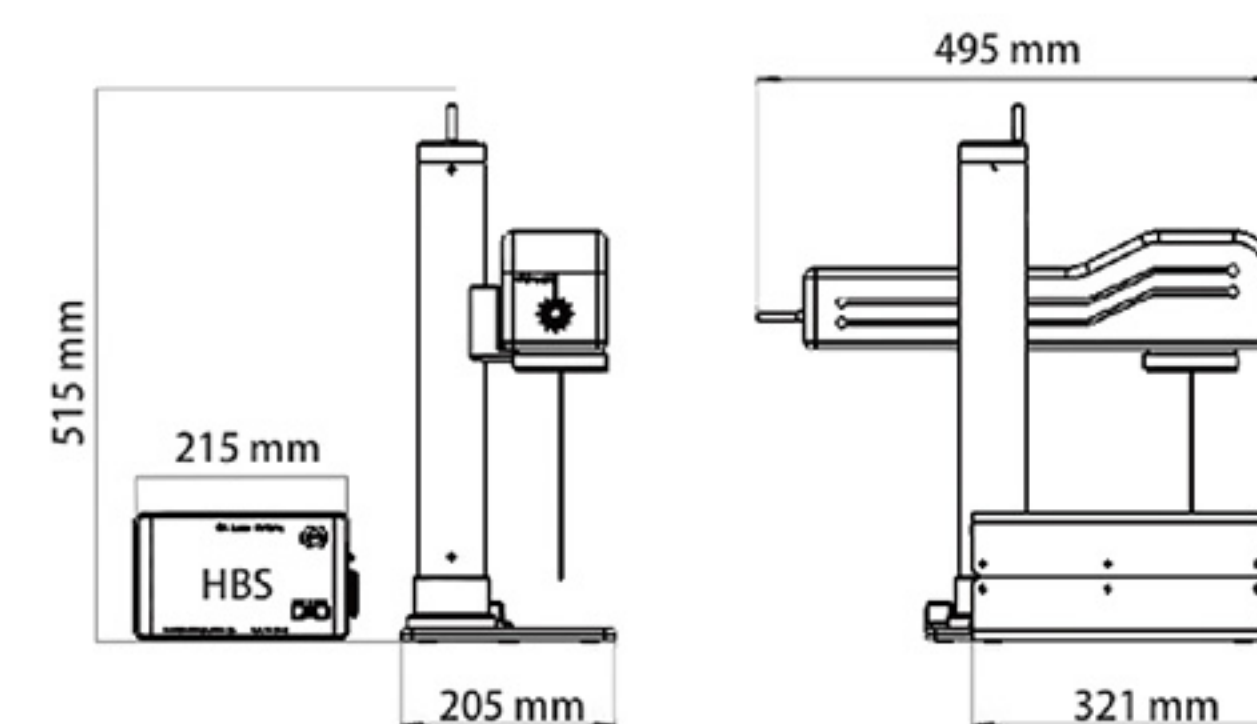
Compact.
Delicate.
Reliable.

The laser source in DB series is different from the fiber laser source, which gives our DB series the advantage of marking on non-metal materials with fine line and details. Especially for white plastics, the making results are sharp, clear and with a smooth texture. Besides, the average low power consumption makes it cost-effective enough, yet, still powerful.

The small table design makes it suitable for office operating environment. With DB series laser source equipped, it has no problem marking on metals, plastics, or even organic materials. Ensuring you the best quality, while keeps your manufacturing cost at a low level.



Packing Details	
Dimension(cm)	100cm*88cm*38cm
Net Weight(kg)	44kg
Gross Weight(kg)	48kg



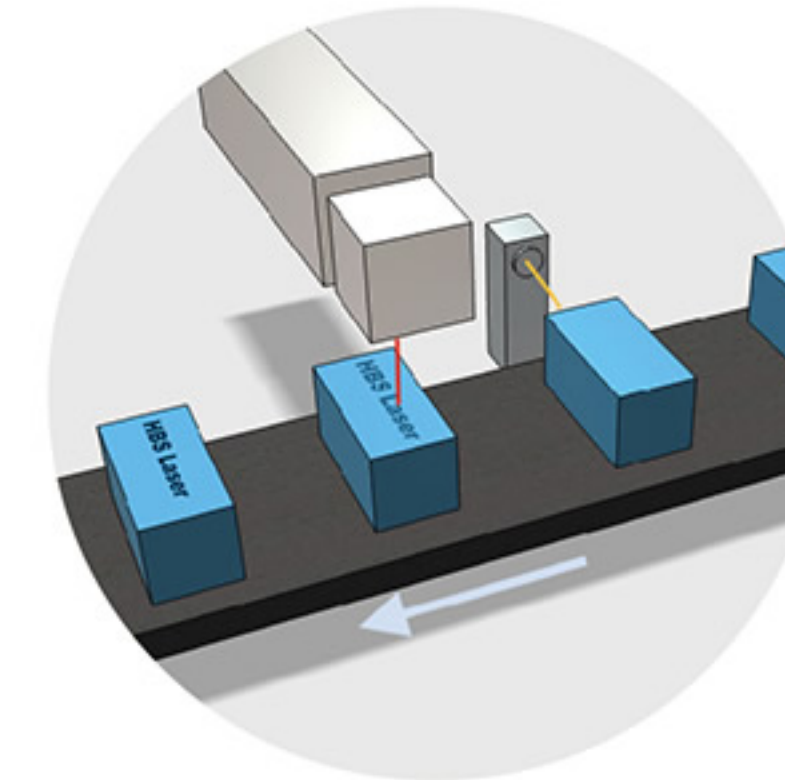
Packing Details	
Dimension(cm)	62cm*47cm*30cm
Net Weight(kg)	23kg
Gross Weight(kg)	29kg

CO₂ Series

CO₂ Laser Marking System

CO₂ Series CO₂ 30A

Flexible CO₂ Marking System

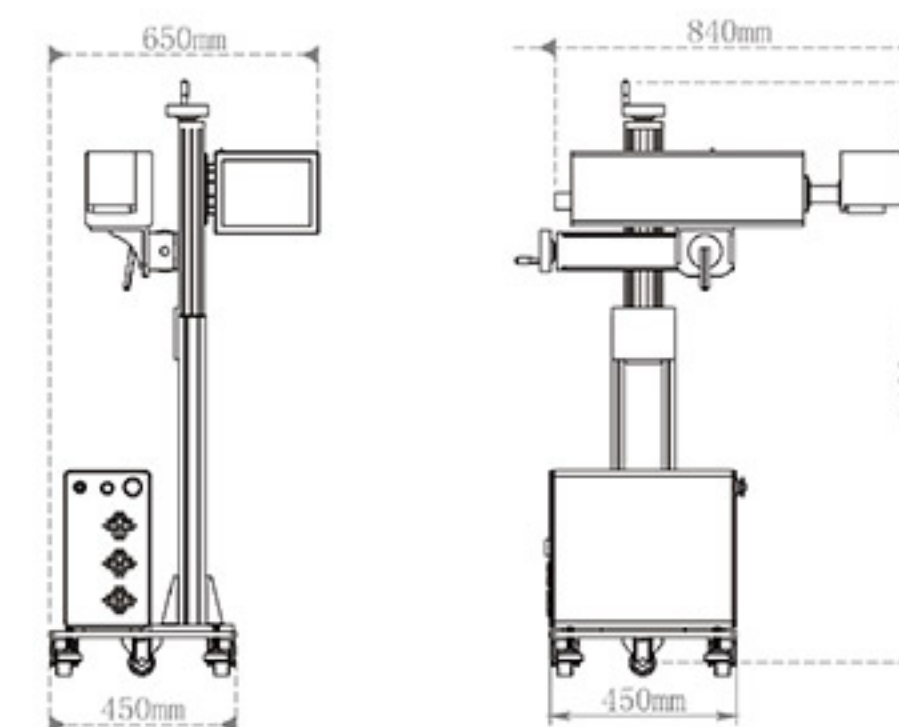


Technical Parameter

Laser Power	20W, 30W, 50W, 100W	Laser Wavelength	10640nm
Laser Power Brand	Synrad, Coherent	Beam Quality	<1.5
Repetition Frequency	≤70KHz	Repetition Precision	±0.001mm
Marking Area	110mm x 110mm	Power Supply	220V/50Hz/10A
Making Depth	≤2mm (Adjustable)	Cooling method	Air cooled
Marking Speed	≤7000mm/s	Control System	Win7, Win8, Win10, Win XP
Min. Line Width	0.03mm	Marking Formats	ai., plt., tiff., jpg., etc.
Min. Character Size	0.3mm	Operature Temperature	-10℃ -60℃
Power Consumption	≤1.2kW	Humidity	5-95%

- Stable.**
- Powerful.**
- Maximum Flexibility.**

CO₂ 30A is designed for mass production use. The adjustable X, Y, Z axis, and portable base gives CO₂ 30A the maximum flexibility, and extremely easy to integrate into your assembly line. The stable and maintenance-free laser source will help you keep your manufacturing cost at a low level. Also, our HBS Software has integrated with SQL database and also equipped with additional extension port, which gives our software the ability to communicate with databases and other controlling parts. The marking process will be more efficient and smart.



Packing Details

Dimension(cm)	100cm*88cm*55cm
Net Weight(kg)	90kg
Gross Weight(kg)	105kg

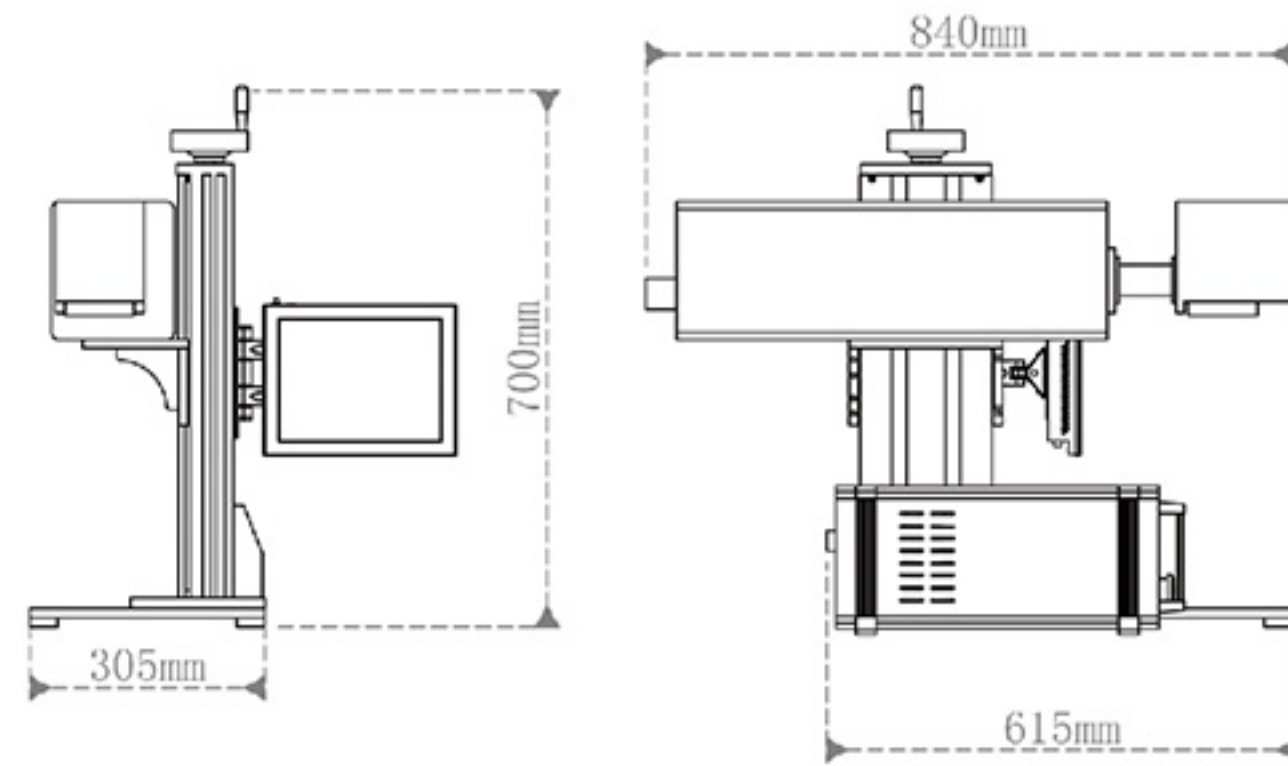
**CO₂ Series
CO₂ 20**

Open Table CO₂
Marking System



Table Design. Wide application range.

CO₂ series are specially designed for non-metallic materials, works excellent on plastics, rubber and even organic materials, such as fabrics, vegetables, etc. Because of its application range, CO₂ series is most suitable for the packaging industry. A one-time equipment investment can be your cost-saving starting point for your business. In the meantime, maintenance-free design, low power consumption, focus finder system, pilot laser, easy to use software, motorized Z axis, all integrated features will make your marking process simple and efficient.



Efficient. Reliable.

The compact table design enables you to mark flawlessly and efficiently. Because there is no air pump attached, JZ115D can relocate easily, and the electrically powered system will make the marking process quieter. Built-in programming system with an industrial microcomputer and multiple USB ports allows you to work without a computer. Able to mark in Chinese and English characters, Arabic numbers, automatic Serial numbers sequence, VIN code, QR code, etc.



**Electric Series
JZ115D**

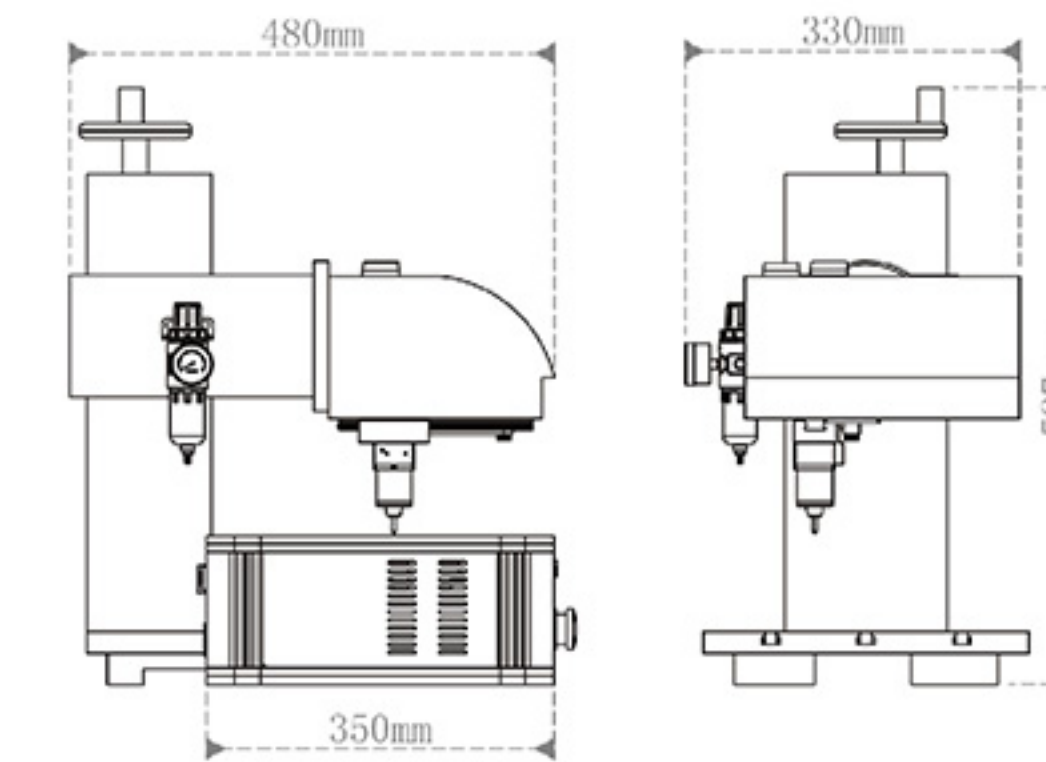
Electric-Powered
Marking System

**CO₂ Series
CO₂ 30B**

Enclosed Working
Station

Spacious. Safe. More possibility.

The enclosed design complies with German safety regulations which makes CO₂ 30B especially safe. In addition, the spacious design makes it possible for CO₂ 30B to mark large objects, and the detachable side doors allow CO₂ 30B ready to be integrated into an assembly line. Focus finder system, pilot laser, easy to use software, motorized Z axis, will all be integrated into CO₂ 30B marking system, ensuring you the best user experiences.



**Pneumatic Series
JZ115P**

Conventional Pneumatic
Marking System



Stable. Robust.

Compare to electrically powered marking system, pneumatic marking system are more stable and powerful. Adjustable marking depth allows different marking effects, suitable for all metal parts. Same as the electric marking system, pneumatic marking system also has the built-in programming system with an industrial microcomputer and multiple USB ports allows you to work without a computer.

Electric Series

HBS 380D

Portable Electric
Marking System



Simple.

Robust.

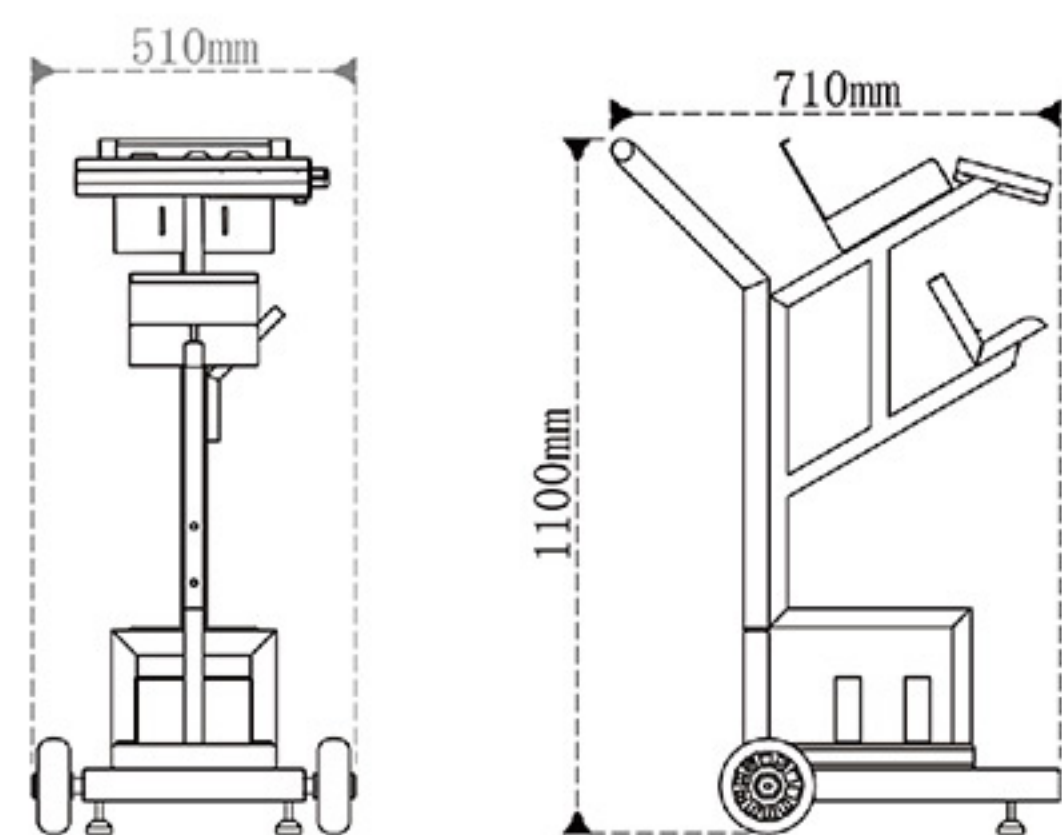
Portable.

Electrically powered dot peen marking system 380D can function without the compressed air supply. The marking head only connects with the supply unit, very easy to carry around and can mark on heavy, complex or large objects. Even though 380D is powered by electricity, it is still powerful as the pneumatic marking systems, marking results will be sharp and clean.

The user-friendly interface has integrated into the supply unit, very easy to learn and operate. We have also designed a customized moving cart for 380D which significantly enhanced its mobility. Besides, the cart has reserved a spot for portable battery allows 380D to work more freely and move to a complex environment as you need. Besides, 380D can be put on the table as well, simply install the marking head on the mounting rack and 380D will be ready to mark.



380D can be put on the table as well, simply install the marking head on the mounting rack and 380D will be ready to mark.



Packing Details	
Dimension(cm)	62cm*47cm*30cm
Net Weight(kg)	13kg
Gross Weight(kg)	17kg

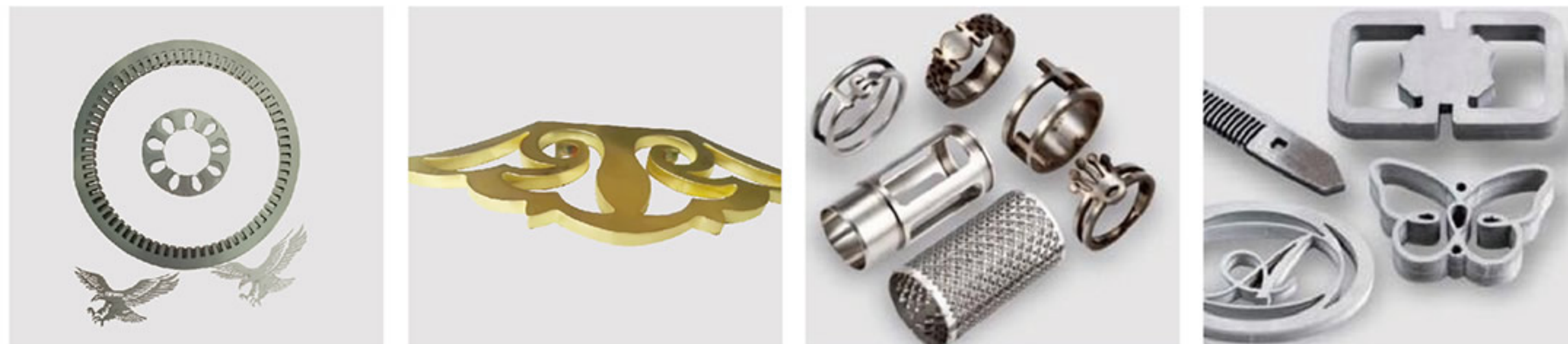
(Marking Head & Supply Unit Only)

Technical Parameter

Model	HBS-380D	Marking Speed	2 - 5 Characters Per Second
Marking Area	30mm x 80mm	Power supply	AC220V/±10%/50Hz
Marking Pattern	Line, Arc, Angularity, Dot-Matrix	COM Port	RS232, USB
Marking Depth	≅ 0.3mm	Power Consumption	≅ 350W
Marking Hardness	≅ HRC62	130D Marking Area	30mm x 130mm
Application	2D code, dot matrix, bitmap, VIN, etc.	6130D Marking Area	60mm x 130mm

Cutting Series

High Precision Laser
Cutting System



Advantages of Fiber laser cutting machine

1. Excellent path quality: Smaller laser dot and high work efficiency, high quality.
2. Fast cutting speed: Cutting speed is 2-3 times faster than CO₂ laser cutting machine.
3. Stable: Adopt top class fiber laser source, stable performance, core parts can reach 100,000 hours working time.
High efficiency for photoelectric conversion: Compare to CO₂ laser cutting machine, fiber laser cutting machine has 4. three times photoelectric conversion efficiency.
Cost effective: Save energy and protects the environment. Low electric power consumption, it consumes only 5. 20%-30% electricity compared to conventional CO₂ laser cutting machine.

Cleaning Series

High Efficiency Laser
Cleaning System



Advantages of Fiber Laser Cleaning Machine

1. Revolutionary eco-friendly cleaning technology. Without using chemical detergent or other consumables.
2. Non-contact cleaning, no damage to the workpiece.
3. Precision positioning, selective cleaning.
4. Easy to operate, has the portable mode and ready to be integrated into the assembly line for automatic cleaning.
5. High efficiency, time-saving.
6. Stable laser cleaning system, practically maintenance free.

Core Parts & Accessories

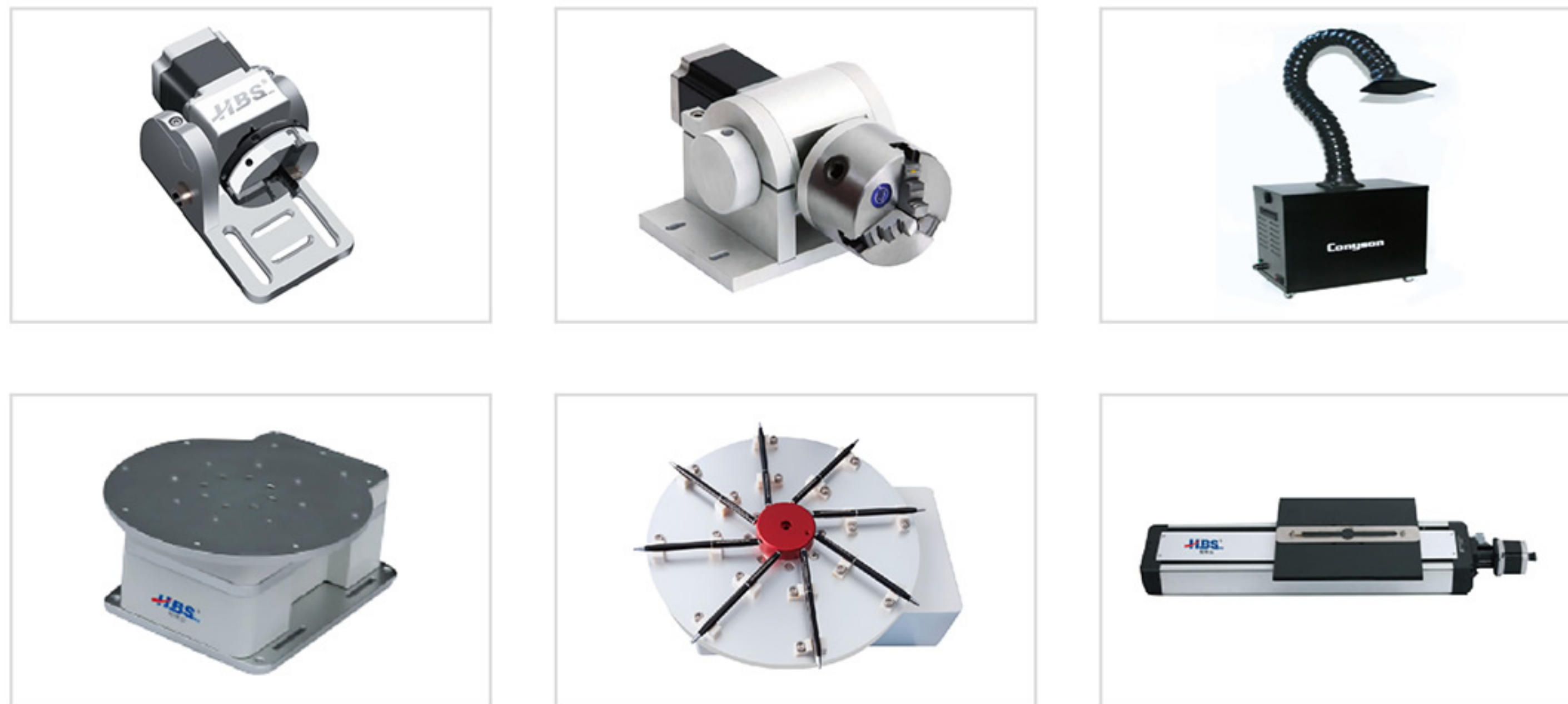
Our Services

Core Parts



Laser Source is the most important part in a laser marking system, to ensure the finest laser marking quality, we only partner with the best laser source manufacturer in the world.

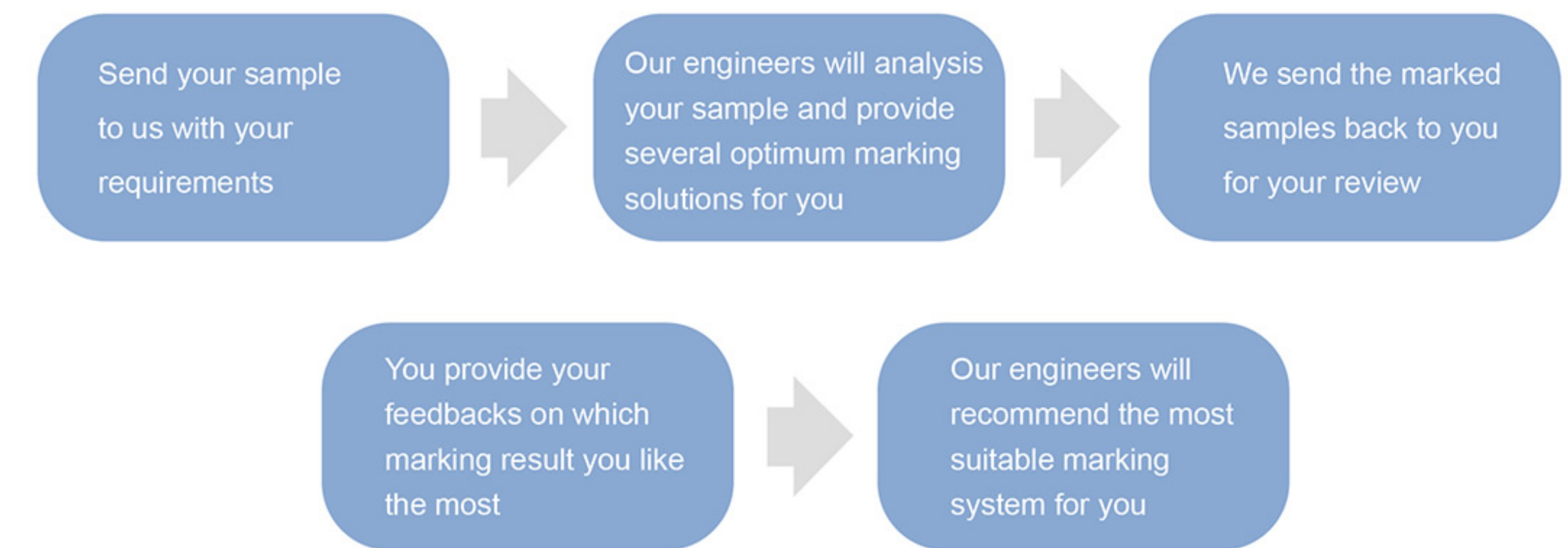
Laser Making Accessories



We offer varieties of marking accessories to support your unique marking needs. Rotary clamp for marking circular objects, rotating platform for multiple marking at a time, and more marking system accessories at your request.

HBS Services

In HBS, we want to make everything easy and simple for you. When you are interested in our laser marking system, all you need have to do is to provide us your sample and your design, and we will take care of the rest. After we are done marking your sample, we will send it back to you along with our recommended marking system. We are not only focused on our sales, but also on your user experience. When you have problems using our system, our engineers will respond to your problem with solutions within 24 hrs.



CE Certificate for Electric Marking Machine



CE for fiber laser marking machine



CE for pneumatic marking machine



CE-Glasses