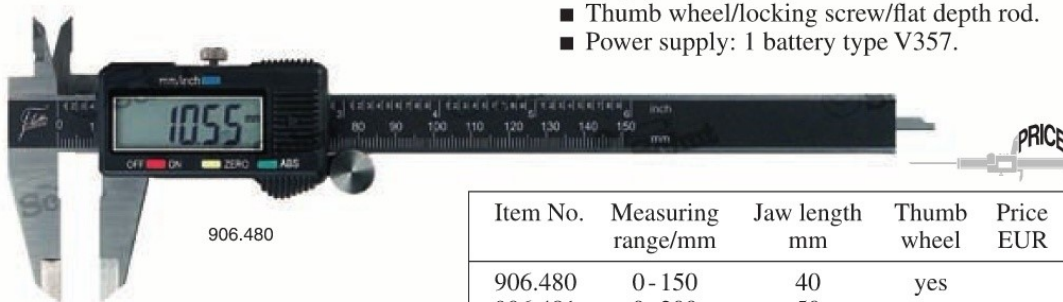


Absolute digital calipers

Calipers with an absolute measuring system for easy incremental and absolute conversion.

- Measuring range: 0-300 mm.
- Resolution: 0.01 mm.
- mm/inch conversion.
- ABS/INC switchable.
- On/off switch.
- Reset.
- Large LCD display.
- Thumb wheel/locking screw/flat depth rod.
- Power supply: 1 battery type V357.



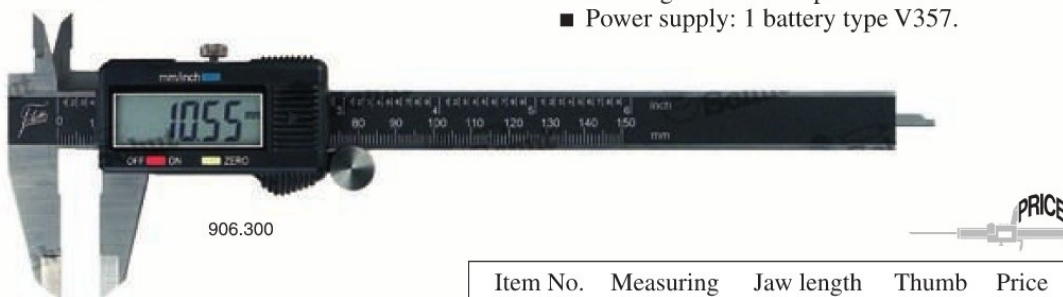
906.480



Item No.	Measuring range/mm	Jaw length mm	Thumb wheel	Price EUR
906.480	0-150	40	yes	
906.481	0-200	50	yes	
906.482	0-300	60	yes	
Option:				
836.535	Spare battery			

Digital calipers with excellent price-performance ratio

- Measuring range: 0-300 mm.
- Resolution: 0.01 mm.
- mm/inch conversion.
- On/off switch.
- Reset.
- Large LCD display (except 906.483/484).
- Thumb wheel (except 906.483/484).
- Locking screw/flat depth rod.
- Power supply: 1 battery type V357.



906.300



906.299

Item No.	Measuring range/mm	Jaw length mm	Thumb wheel	Price EUR
906.483	0-75	30	no	
906.484	0-100	30	no	
906.300	0-150	40	yes	
906.302	0-200	50	yes	
906.304	0-300	60	yes	
Left-handed model:				
906.299	0-150	40	yes	
Option:				
836.535	Spare battery			

002-202-QControl-2011-80702

Absolute digital calipers

Calipers with an absolute measuring system for easy incremental and absolute conversion. The advantage of these calipers is the one-time setting of the absolute zero position until the battery has to be changed. This reduces the chance of measuring errors and enables you to use the calipers without zero setting.

- Measuring range: 0-300 mm.
- Resolution: 0.01 mm.
- mm/inch conversion.
- ABS/INC switchable.
- On/off switch.
- Automatic switch-off.
- Reset.
- Large LCD display.
- Thumb wheel/locking screw/flat depth rod.
- DIN 862.
- Delivery with an inspection report.
- Power supply: 1 battery type V357.



907.546

Item No.	Measuring range/mm	Jaw length mm	Price EUR
907.546	0-150	40	
907.547	0-200	50	
907.548	0-300	60	

Option:

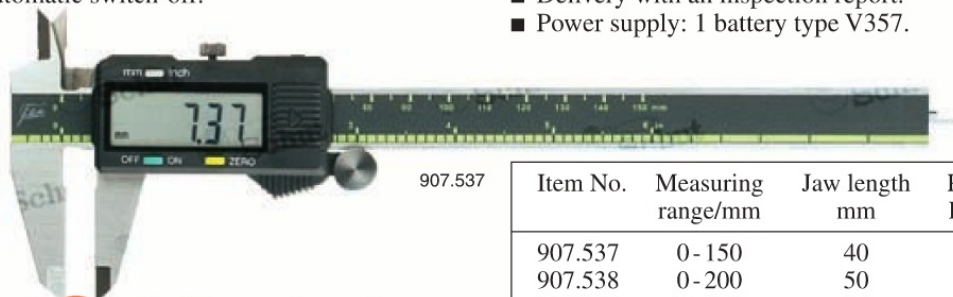
836.535 Spare battery



Digital calipers

The advantage of these calipers is the one-time setting of the absolute zero position until the battery has to be changed. This reduces the chance of measuring errors and enables you to use the calipers without zero setting.

- Measuring range: 0-300 mm.
- Resolution: 0.01 mm.
- mm/inch conversion.
- On/off switch.
- Automatic switch-off.
- Reset.
- Large LCD display.
- Thumb wheel/locking screw/flat depth rod.
- DIN 862.
- Delivery with an inspection report.
- Power supply: 1 battery type V357.



907.537

Item No.	Measuring range/mm	Jaw length mm	Price EUR
907.537	0-150	40	
907.538	0-200	50	
907.539	0-300	60	

Option:

836.535 Spare battery

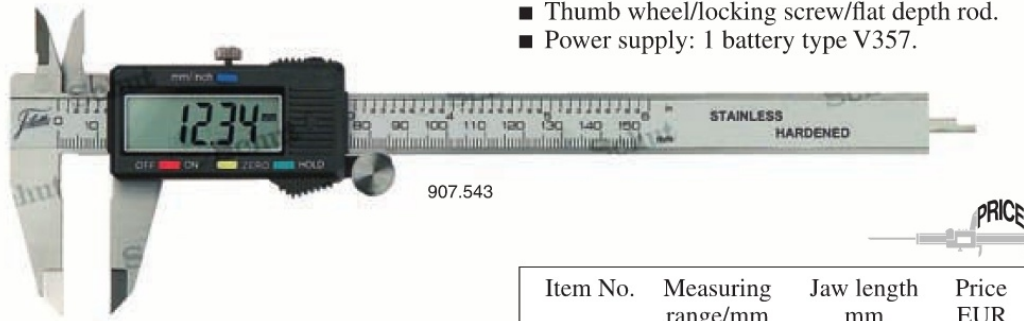


002 301-QControl 20180702

Digital calipers with hold function

Digital calipers with a function to hold the display value at any position.

- Measuring range: 0 - 300 mm.
- Resolution: 0.01 mm.
- mm/inch conversion.
- On/off switch.
- Reset.
- Hold function.
- Large LCD display.
- Thumb wheel/locking screw/flat depth rod.
- Power supply: 1 battery type V357.



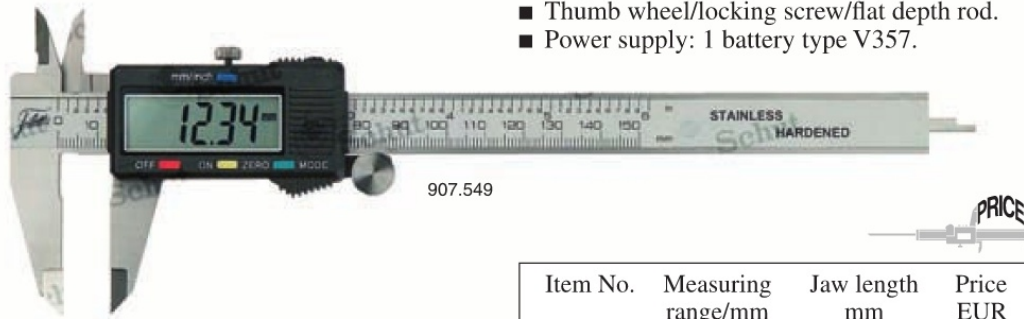
907.543

Item No.	Measuring range/mm	Jaw length mm	Price EUR
907.543	0 - 150	40	
907.544	0 - 200	50	
907.545	0 - 300	60	
Option:			
836.535	Spare battery		

Digital calipers with min/max function

By keeping the mode button pressed you can hold the minimum and maximum measuring values.

- Measuring range: 0 - 300 mm.
- Resolution: 0.01 mm.
- mm/inch conversion.
- On/off switch.
- Reset.
- Min/max function.
- Large LCD display.
- Thumb wheel/locking screw/flat depth rod.
- Power supply: 1 battery type V357.



907.549

Item No.	Measuring range/mm	Jaw length mm	Price EUR
907.549	0 - 150	40	
907.550	0 - 200	50	
907.551	0 - 300	60	
Option:			
836.535	Spare battery		

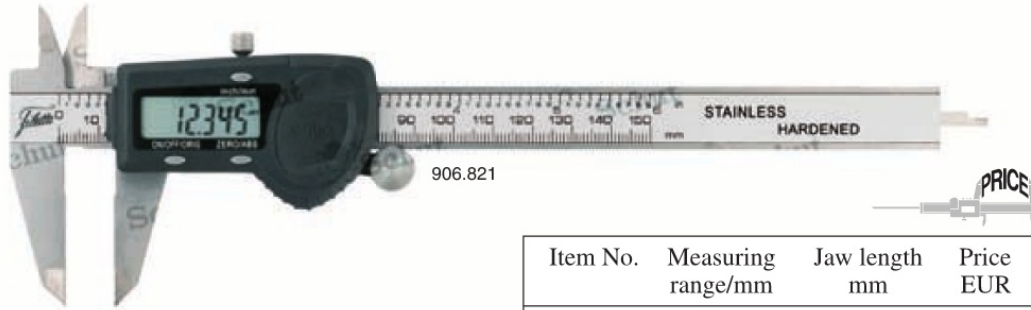


002 302 QControl 20180702

Digital calipers 0.005 mm

Calipers with a higher resolution and a measuring range up to 300 mm.

- Measuring range: 0-300 mm.
- Resolution: **0.005 mm**.
- mm/inch conversion.
- ABS/INC switchable.
- On/off switch.
- Automatic switch-off.
- Reset.
- Thumb wheel/locking screw/flat depth rod.
- DIN 862.
- Power supply: 1 battery type CR2032.



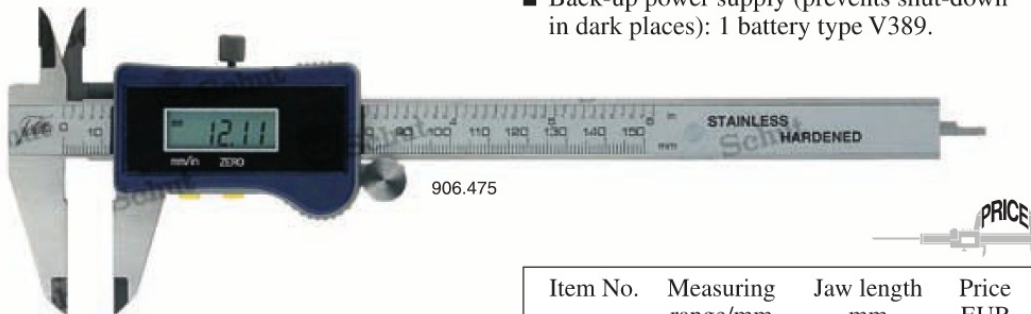
906.821

Item No.	Measuring range/mm	Jaw length mm	Price EUR
906.821	0-150	40	
906.822	0-200	50	
906.823	0-300	60	
Option:			
495.157	Spare battery		

Digital solar calipers

The solar power supply functions already with a low illumination level.

- Measuring range: 0-300 mm.
- Resolution: 0.01 mm.
- mm/inch conversion.
- Automatic switch-off.
- Reset.
- Thumb wheel/locking screw/flat depth rod.
- Back-up power supply (prevents shut-down in dark places): 1 battery type V389.



906.475

Item No.	Measuring range/mm	Jaw length mm	Price EUR
906.475	0-150	40	
906.492	0-200	50	
906.493	0-300	60	
Option:			
498.823	Spare battery		

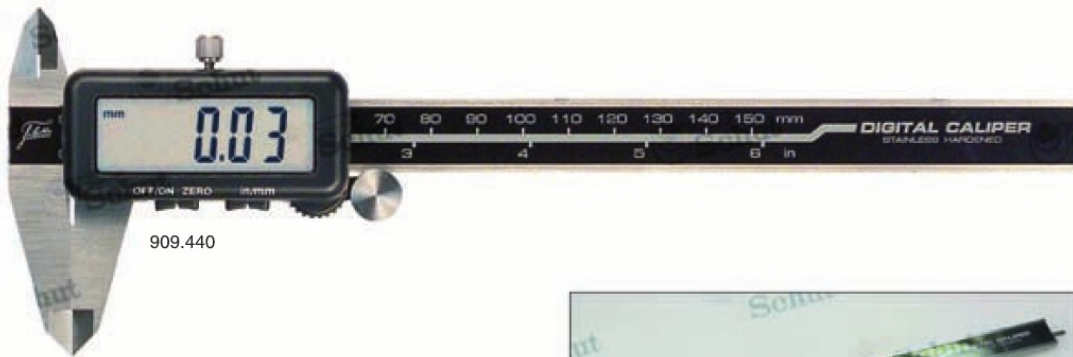


002.317-QControl.20190702

Digital calipers with glass ruler

Equipped with a glass ruler. Very easy displacement by non-contact movement.

- Measuring range: 0 - 300 mm.
- Resolution: 0.01 mm.
- mm/inch conversion.
- ABS/INC switchable (only 909.443/444/445).
- With data output.
- On/off switch.
- Automatic switch-off.
- Reset.
- Large LCD display.
- Thumb wheel/locking screw/flat depth rod.
- DIN 862.
- Delivery with an inspection report.
- Power supply: 1 battery type CR2025.



909.440



909.440



909.446

USB interface:

- For data transfer to PC (e.g. Excel, Word).
- Operating system: Windows and other.
- PC connection: USB.
- No software or driver to install.
- Foot switch (optional).

PRICE

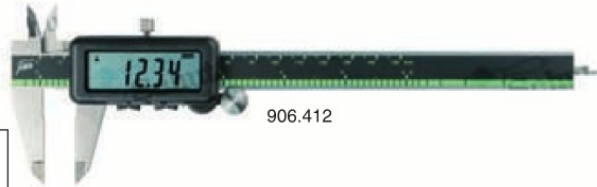
Item No.	Measuring range/mm	Jaw length mm	Price EUR
909.440	0 - 150	40	
909.441	0 - 200	50	
909.442	0 - 300	60	
Absolute calipers:			
909.443	0 - 150	40	
909.444	0 - 200	50	
909.445	0 - 300	60	
Options:			
495.214	Spare battery		
909.446	USB interface		
909.687	Footswitch for USB interface		

002.325-QControl-20190702

Digital calipers with tolerance function

Digital calipers with function to set tolerance limits with Go/NoGo reading.

- Measuring range: 0 - 300 mm.
- Resolution: 0.01 mm.
- mm/inch conversion.
- With data output.
- Tolerance function.
- On/off switch.
- Automatic switch-off.
- Reset.
- Large LCD display.
- Thumb wheel/locking screw/flat depth rod.
- DIN 862.
- Delivery with an inspection report.
- Power supply: 1 battery type CR2025.



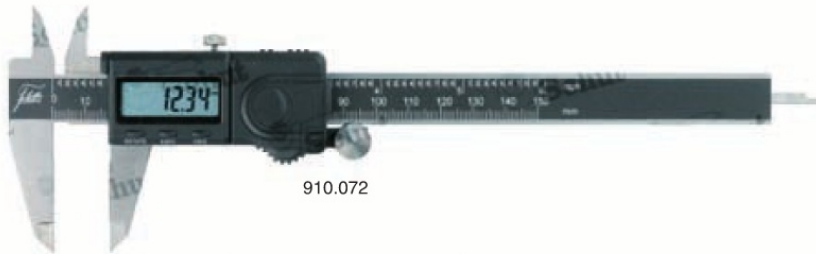
Item No.	Measuring range/mm	Jaw length mm	Price EUR
906.412	0 - 150	40	
906.413	0 - 200	50	
906.414	0 - 300	60	

Options:
 495.214 Spare battery
 909.446 USB interface
 909.687 Foot switch



Digital calipers with rotatable LCD display

- Measuring range: 0 - 300 mm.
- Resolution: 0.01 mm.
- mm/inch conversion.
- On/off switch.
- Automatic switch-off.
- Reset.
- Rotatable display.
- Rotatable display value.
- Thumb wheel/locking screw/flat depth rod.
- Power supply: 1 battery type CR2032.



Item No.	Measuring range/mm	Jaw length mm	Price EUR
910.072	0 - 150	40	
910.073	0 - 200	50	
910.074	0 - 300	60	

Option:
 495.157 Spare battery

Absolute digital calipers IP54

Calipers with an absolute measuring system for easy incremental and absolute conversion. The advantage of these calipers is the one-time setting of the absolute zero position until the battery has to be changed. This reduces the chance of measuring errors and enables you to use the calipers without zero setting. These calipers have a protection degree of IP54 and are therefore protected against splash water and resistant to oil and dust. The models with function for setting tolerance limits are provided with a clear optical Go (NoGo) indication.

- Measuring range: 0 - 300 mm.
- Resolution: 0.01 mm.
- mm/inch conversion.
- ABS/INC switchable.
- With data output.
- On/off switch.
- Automatic switch-off
- Reset.
- Max. measuring speed: unlimited.
- Locking screw/flat depth rod.
- Protection: IP54.
- DIN 862.
- Delivery with an inspection report.
- Power supply: 1 battery type CR2032.



Models with tolerance display:

- Adjustable tolerance limits.
- Tolerance display by means of illuminated green LED at GO value.



906.835

NEW

USB interface:

- For data transfer to PC (e.g. Excel, Word).
- Operating system: Windows and other.
- PC connection: USB.
- No software or driver to install.
- Foot switch (optional).



906.618



909.687



906.619/910.038



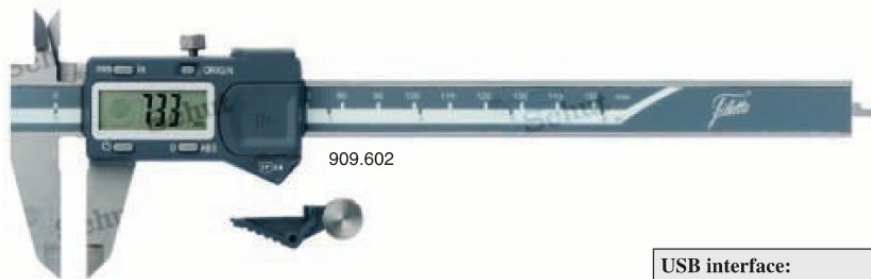
Item No.	Measuring range/mm	Accuracy mm	Jaw length mm	Price EUR
906.838	0 - 150	0.02	40	
906.839	0 - 200	0.03	50	
906.840	0 - 300	0.03	60	
Models with tolerance display:				
906.835	0 - 150	0.02	40	
906.836	0 - 200	0.03	50	
906.837	0 - 300	0.03	60	
Options:				
495.157	Spare battery			
906.618	USB interface			
909.687	Footswitch for USB interface			
910.038	Wireless USB receiver			
906.619	Wireless transmitter			

002 336-QControl 20190702

Absolute digital calipers IP54

Calipers with an absolute measuring system for easy incremental and absolute conversion. This gives you the advantage that the caliper stores the one-time setting of the absolute zero position until the battery has to be changed. This reduces the chance of measuring errors and enables you to use the caliper without zero setting. These calipers have a protection degree of IP54 and are therefore protected against splash water and resistant to oil and dust.

- Measuring range: 0 - 300 mm.
- Resolution: 0.01 mm.
- mm/inch conversion.
- ABS/INC switchable.
- Digimatic data output.
- On/off switch.
- Reset.
- Max. measuring speed: unlimited.
- Thumb wheel supplied separately.
- Locking screw/flat depth rod.
- Protection: IP54.
- DIN 862.
- Delivery with an inspection report.
- Power supply: 1 battery type CR2032.



USB interface:

- For data transfer to PC (e.g. Excel, Word).
- Operating system: Windows and other.
- PC connection: USB.
- No software or driver to install.
- Foot switch (optional).



Item No.	Measuring range/mm	Accuracy mm	Jaw length mm	Price EUR
909.602	0 - 150	0.02	40	
909.603	0 - 200	0.02	50	
909.604	0 - 300	0.03	60	

Options:

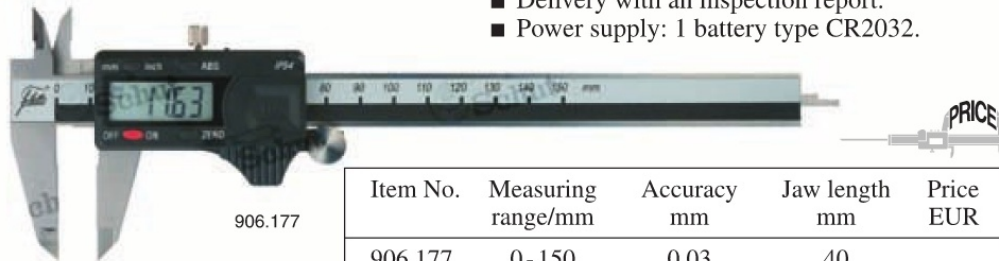
- 495.157 Spare battery
- 909.686 USB interface
- 909.687 Footswitch for USB interface
- 910.038 Wireless USB receiver
- 910.039 Wireless transmitter

C02 330-QControl 20190702

Absolute digital calipers IP54

Calipers with an absolute measuring system for easy incremental and absolute conversion. This gives you the advantage that the caliper stores the one-time setting of the absolute zero position until the battery has to be changed. This reduces the chance of measuring errors and enables you to use the caliper without zero setting. These calipers have a protection degree of IP54 and are therefore protected against splash water and resistant to oil and dust.

- Measuring range: 0 - 300 mm.
- Resolution: 0.01 mm.
- mm/inch conversion.
- ABS/INC switchable.
- On/off switch.
- Automatic switch-off.
- Reset.
- Thumb wheel/locking screw/flat depth rod.
- Protection: IP54.
- DIN 862.
- Delivery with an inspection report.
- Power supply: 1 battery type CR2032.



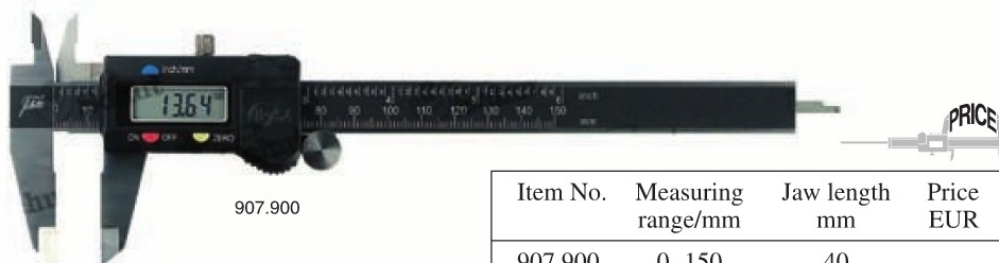
Item No.	Measuring range/mm	Accuracy mm	Jaw length mm	Price EUR
906.177	0 - 150	0.03	40	
906.178	0 - 200	0.03	50	
906.179	0 - 300	0.04	60	
Option:				
495.157	Spare battery			



Digital calipers IP54

These calipers have a protection degree of IP54 and are therefore protected against splash water and resistant to oil and dust.

- Measuring range: 0 - 300 mm.
- Resolution: 0.01 mm.
- mm/inch conversion.
- On/off switch.
- Reset.
- Thumb wheel/locking screw/flat depth rod.
- Protection: IP54.
- Power supply: 1 battery type V357.



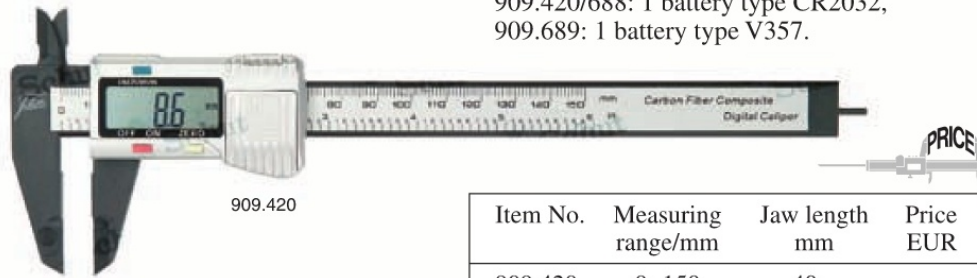
Item No.	Measuring range/mm	Jaw length mm	Price EUR
907.900	0 - 150	40	
907.901	0 - 200	50	
907.902	0 - 300	60	
Option:			
836.535	Spare battery		

002 333 QControl 20180702

Digital carbon fiber calipers

Digital calipers made of carbon fiber.

- Measuring range: 0 - 300 mm.
- Resolution: 0.1 mm.
- mm/inch conversion.
- On/off switch.
- Automatic switch-off.
- Reset.
- Flat depth rod (only 909.420).
- Power supply:
909.420/688: 1 battery type CR2032,
909.689: 1 battery type V357.



909.420

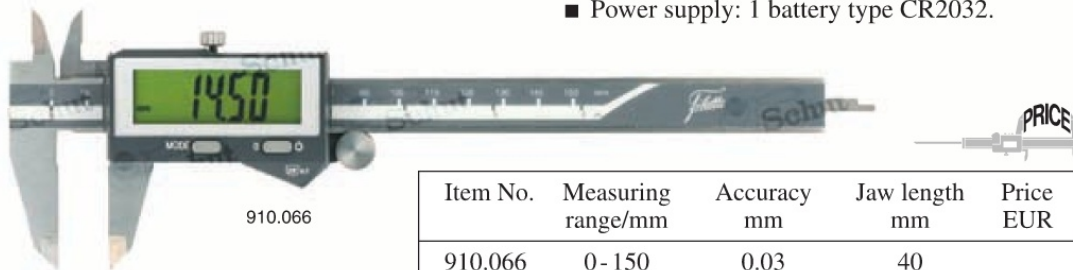


Item No.	Measuring range/mm	Jaw length mm	Price EUR
909.420	0 - 150	40	
909.688	0 - 150	75	
909.689	0 - 300	90.5	
Options:			
495.157	Spare battery type CR2032		
836.535	Spare battery type V357		

Digital calipers IP67

These IP67 protected calipers are especially suitable for use in production environments: they are fully protected against dust intrusion and even last temporary immersion.

- Measuring range: 0 - 300 mm.
- Resolution: 0.01 mm.
- mm/inch conversion.
- Automatic switch-off.
- Reset.
- Large LCD display.
- Thumb wheel/locking screw/flat depth rod.
- Protection: IP67.
- DIN 862.
- Delivery with an inspection report.
- Power supply: 1 battery type CR2032.



910.066

NEW



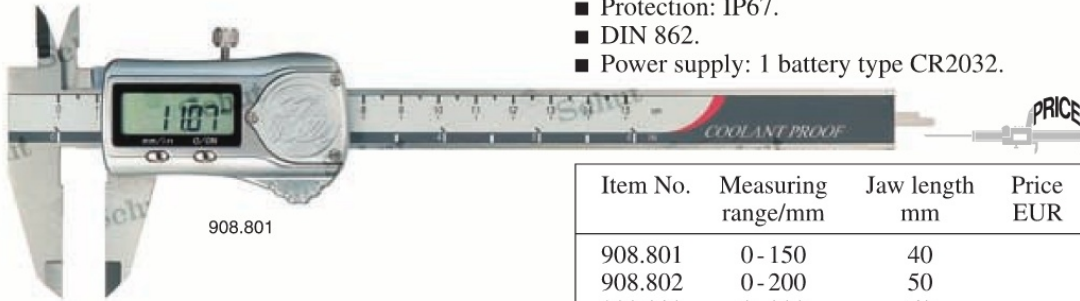
Item No.	Measuring range/mm	Accuracy mm	Jaw length mm	Price EUR
910.066	0 - 150	0.03	40	
910.067	0 - 200	0.03	50	
910.068	0 - 300	0.04	60	
With Bluetooth:				
910.069	0 - 150	0.03	40	
Option:				
495.157	Spare battery			

Absolute digital calipers IP67

These IP67 protected calipers are especially suitable for use in production environments: they are fully protected against dust intrusion and even last temporary immersion.

Calipers with an absolute measuring system for easy incremental and absolute conversion. The advantage of these calipers is the one-time setting of the absolute zero position until the battery has to be changed. This reduces the chance of measuring errors and enables you to use the calipers without zero setting.

- Measuring range: 0-300 mm.
- Resolution: 0.01 mm.
- mm/inch conversion.
- ABS/INC switchable.
- On/off switch.
- Automatic switch-off.
- Reset.
- Locking screw/flat depth rod.
- Protection: IP67.
- DIN 862.
- Power supply: 1 battery type CR2032.



908.801

Item No.	Measuring range/mm	Jaw length mm	Price EUR
908.801	0-150	40	
908.802	0-200	50	
908.803	0-300	60	
Option:			
495.157	Spare battery		

Digital calipers IP67

These IP67 protected calipers are especially suitable for use in production environments: they are fully protected against dust intrusion and even lasts temporary immersion.

- Measuring range: 0-300 mm.
- Resolution: 0.01 mm.
- mm/inch conversion.
- On/off switch.
- Automatic switch-off.
- Reset.
- Thumb wheel/locking screw/flat depth rod.
- Protected rack.
- Protection: IP67.
- DIN 862.
- Delivery with an inspection report.
- Power supply: 1 battery type V357.



907.500



Item No.	Measuring range/mm	Jaw length mm	Price EUR
907.500	0-150	40	
907.501	0-200	50	
907.502	0-300	60	
Option:			
836.535	Spare battery		

002-304-QControl-20180702

Digital calipers with tungsten carbide measuring faces

- Measuring range: 0-300 mm.
- Resolution: 0.01 mm.
- mm/inch conversion.
- On/off switch.
- Reset.
- Thumb wheel/locking screw/flat depth rod.
- Tungsten carbide measuring faces.
- Power supply: 1 battery type V357.

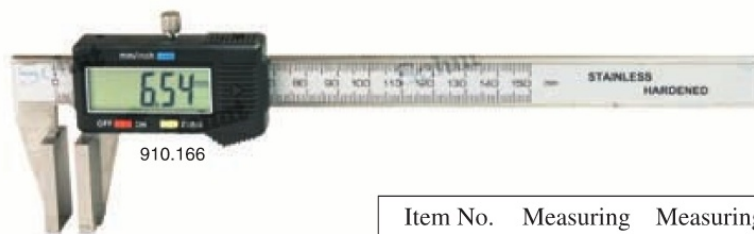


Item No.	Measuring range/mm	Jaw length mm	Price EUR
910.035	0-150	40	
910.036	0-200	50	
910.037	0-300	60	
Option:			
836.535	Spare battery		

Digital calipers with large measuring faces

Calipers with large rectangular measuring faces for the measurements of for example round shafts and cables.

- Measuring range: 0-300 mm.
- Resolution: 0.01 mm.
- mm/inch conversion.
- On/off switch.
- Reset.
- Large LCD display.
- Locking screw.
- Power supply: 1 battery type V357.



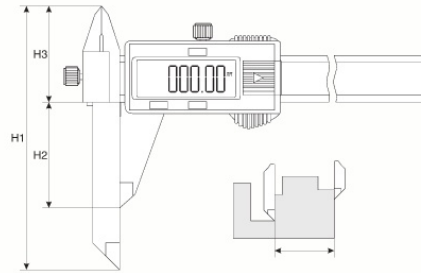
NEW

Item No.	Measuring range/mm	Measuring face width/mm	Measuring face height/mm	Price EUR
910.166	0-150	20	30	
910.167	0-200	30	40	
910.168	0-300	40	50	
Option:				
836.535	Spare battery			

Digital calipers with slidable measuring jaw

For measuring distances between planes at different levels. Very suitable as scribing tool!

- Measuring range: 0 - 500 mm.
- Resolution: 0.01 mm.
- mm/inch conversion.
- On/off switch.
- Reset.
- Large LCD display.
- Thumb wheel/locking screw.
- Power supply: 1 battery type V357 (except 906.348).



Item No.	Measuring range/mm	Jaw length/mm			Price EUR
		H1	H2	H3	
906.345	0 - 150	110	40	37	
906.346	0 - 200	120	50	40	
906.347	0 - 300	130	60	42	
906.348*	0 - 500	210	100	66	

Options:
 836.535 Spare battery type V357
 495.157 Spare battery type CR2032

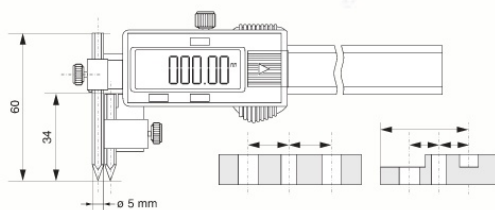
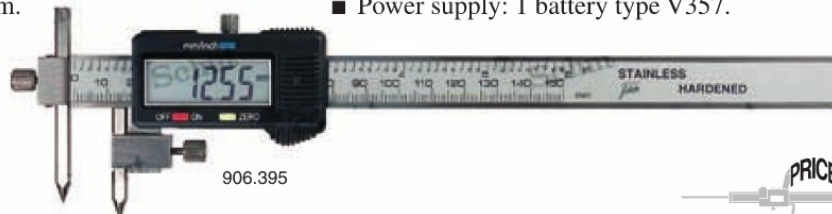


* Model with absolute digital display, without thumb wheel, with fine adjustment and preset function.

Digital calipers for measuring center distances

Suited for measuring center distances between bores from $\varnothing 1$ up to 4.5 mm. Because both measuring jaws are adjustable in height it is possible to measure center distances between bores that are positioned at different levels.

- Measuring range: 5 - 300 mm.
- Resolution: 0.01 mm.
- mm/inch conversion.
- On/off switch.
- Reset.
- Large LCD display.
- Locking screw.
- Power supply: 1 battery type V357.



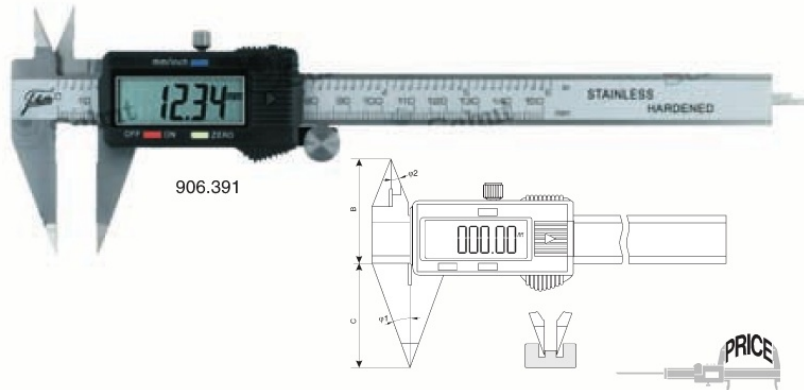
Item No.	Measuring range/mm	Price EUR
906.395	5 - 150	
906.396	5 - 200	
906.397	5 - 300	

Option:
 836.535 Spare battery

Digital calipers with pointed measuring jaws

The pointed measuring jaws of these calipers enable you to measure distances in places that are hard to reach.

- Measuring range: 0-300 mm.
- Resolution: 0.01 mm.
- mm/inch conversion.
- On/off switch.
- Reset.
- Large LCD display.
- Thumb wheel/locking screw/flat depth rod.
- Power supply: 1 battery type V357.



Item No.	Measuring range/mm	Jaw length C/mm	Length B/mm	Angle φ1	Angle φ2	Price EUR
906.391	0-150	40	37	20°	20°	
906.392	0-200	50	40	20°	22.5°	
906.393	0-300	60	42	20°	22.5°	

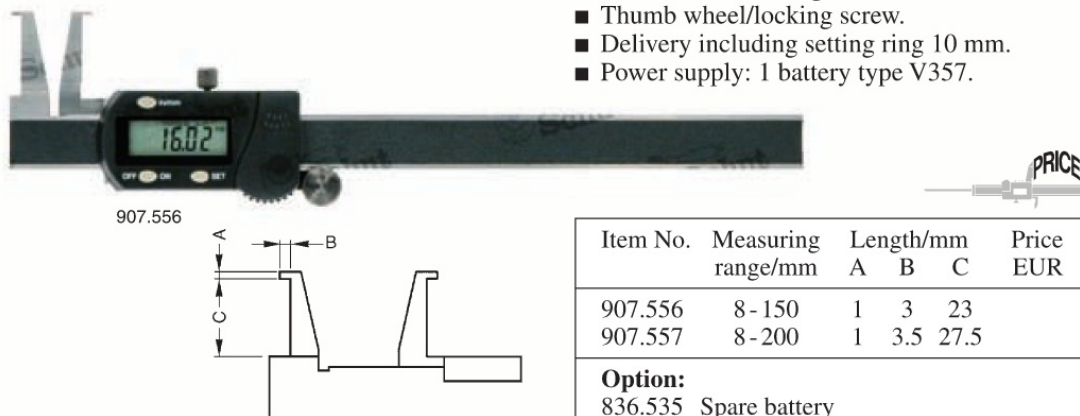
Option:
836.535 Spare battery



Digital calipers with outside angled measuring jaws

These calipers have short, stable, V-shaped measuring jaws with a flat front. Specially designed for measuring bore and internal groove diameters.

- Measuring range: 8-200 mm.
- Resolution: 0.01 mm.
- mm/inch conversion.
- On/off switch.
- Reset.
- Preset through SET switch.
- Thickness measuring face: 0.5 mm.
- Thumb wheel/locking screw.
- Delivery including setting ring 10 mm.
- Power supply: 1 battery type V357.



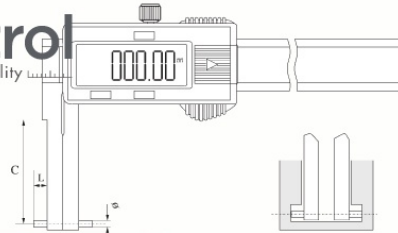
Item No.	Measuring range/mm	Length/mm			Price EUR
		A	B	C	
907.556	8-150	1	3	23	
907.557	8-200	1	3.5	27.5	

Option:
836.535 Spare battery

Digital calipers with outside angled measuring pins

These calipers are equipped with outside angled rounded pins.

- Measuring range: 35 - 500 mm.
- Resolution: 0.01 mm.
- mm/inch conversion.
- On/off switch.
- Reset.
- Large LCD display.
- Thumb wheel/locking screw.
- Power supply: 1 battery type V357 (except 906.383).



* Model with absolute digital display, without thumb wheel, with fine adjustment and preset function.

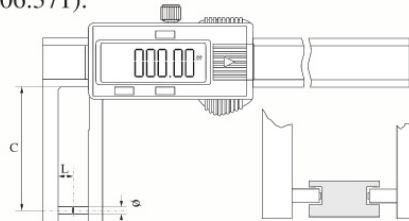
Item No.	Measuring range/mm	Jaw length C/mm	Pin ø/mm	Pin length L/mm	Price EUR
906.374	35 - 150	60	2	6	
906.377	40 - 200	70	3	7	
906.380	50 - 300	80	3	10	
906.383*	60 - 500	105	3	10	
Options:					
836.535	Spare battery type V357				
495.157	Spare battery type CR2032				

Digital calipers with inside angled measuring pins

These calipers are equipped with inside angled rounded pins.

- Measuring range: 0 - 500 mm.
- Resolution: 0.01 mm.
- mm/inch conversion.
- On/off switch.
- Reset.
- Large LCD display.
- Thumb wheel/locking screw.

- Power supply: 1 battery type V357 (except 906.371).



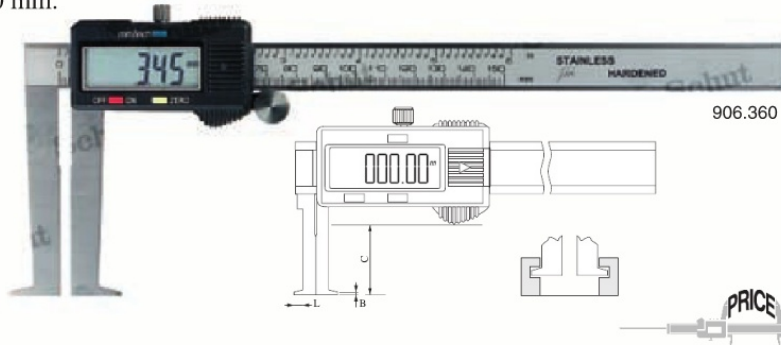
* Model with absolute digital display, without thumb wheel, with fine adjustment and preset function.

Item No.	Measuring range/mm	Jaw length C/mm	Pin ø/mm	Pin length L/mm	Price EUR
906.368	0 - 150	40	2	5	
906.369	0 - 200	50	2.5	8	
906.370	0 - 300	60	2.5	10	
906.371*	0 - 500	100	3	12	
Options:					
836.535	Spare battery type V357				
495.157	Spare battery type CR2032				

Digital calipers with outside angled measuring jaws

These calipers are equipped with outside angled V-shaped measuring jaws.

- Measuring range: 35 - 500 mm.
- Resolution: 0.01 mm.
- mm/inch conversion.
- On/off switch.
- Reset.
- Large LCD display.
- Thumb wheel/locking screw.
- Power supply:
1 battery type V357 (except 906.363).



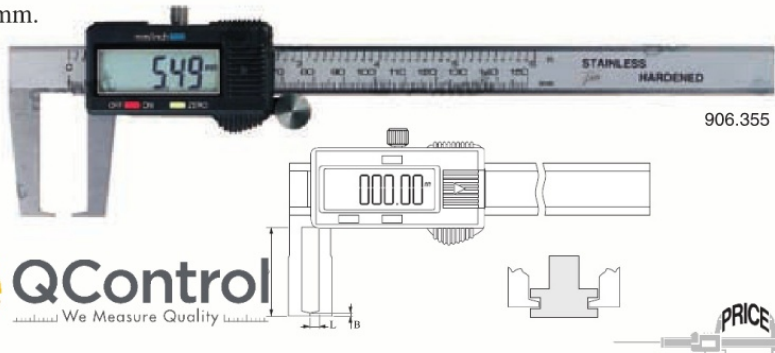
* Model with absolute digital display, without thumb wheel, with fine adjustment and preset function.

Item No.	Measuring range/mm	Jaw length C/mm	Measuring face B/mm	Jaw length L/mm	Price EUR
906.360	35 - 150	50	1.5	6	
906.361	40 - 200	60	1.5	7	
906.362	50 - 300	70	1.5	8	
906.363*	60 - 500	110	2	10	
Options:					
836.535	Spare battery type V357				
495.157	Spare battery type CR2032				

Digital calipers with inside angled measuring jaws

These calipers are equipped with inside angled V-shaped measuring jaws.

- Measuring range: 0 - 500 mm.
- Resolution: 0.01 mm.
- mm/inch conversion.
- On/off switch.
- Reset.
- Large LCD display.
- Thumb wheel/locking screw.
- Power supply:
1 battery type V357 (except 906.358).



* Model with absolute digital display, without thumb wheel, with fine adjustment and preset function.

Item No.	Measuring range/mm	Jaw length C/mm	Measuring face B/mm	Jaw length L/mm	Price EUR
906.355	0 - 150	40	1	5	
906.356	0 - 200	50	1	7	
906.357	0 - 300	60	1.5	8	
906.358*	0 - 500	100	2	12	
Options:					
836.535	Spare battery type V357				
495.157	Spare battery type CR2032				

Digital calipers for internal length measurement

Calipers with outside angled, pointed measuring jaws for the measurement of for example internal grooves.

- Measuring range: 3 - 200 mm.
- Resolution: 0.01 mm.
- mm/inch conversion.
- On/off switch.
- Reset.
- Large LCD display.
- Locking screw.
- Power supply: 1 battery type V357.



906.386

Item No.	Measuring range/mm	Price EUR
906.386	3 - 125	
906.387	3 - 200	

Option:
836.535 Spare battery

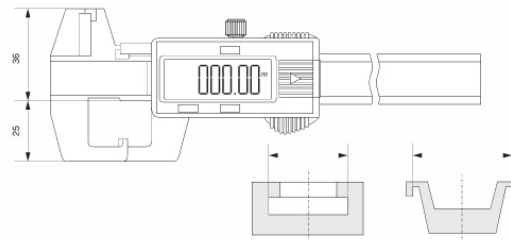
Digital caliper for groove measurements

- Measuring range: 0 - 125 mm.
- Resolution: 0.01 mm.
- mm/inch conversion.
- On/off switch.
- Reset.
- Large LCD display.
- Equipped with small measuring jaws on top of the caliper.
- Thumb wheel/locking screw.
- Also suitable for:
 - internal diameter attached collar,
 - internal diameter U-shaped flange on axis,
 - center distances blind holes under-surface flange on axis,
 - hole diameter hard-to-reach places,
 - height measurement,
 - groove width and groove distance.
- Power supply: 1 battery type V357.



Item No.	Measuring range/mm	Price EUR
906.365	0 - 125	

Option:
836.535 Spare battery

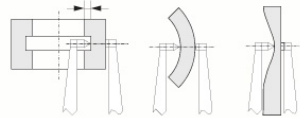
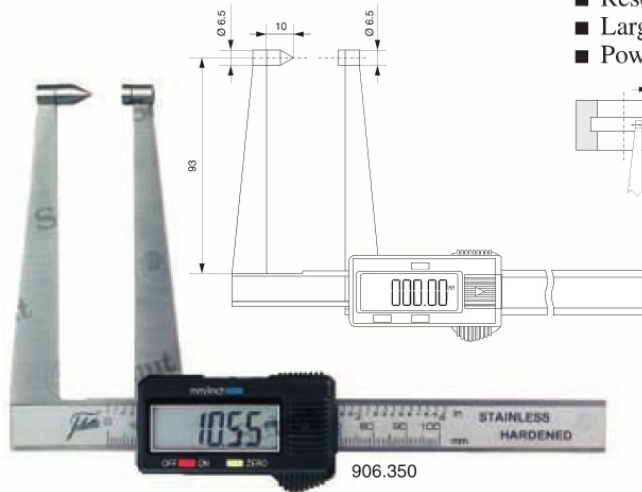


C02 207 QControl 20180702

Digital calipers with pointed anvil

Because of the pointed anvil and the long measuring jaws you can measure with these calipers all sorts of wall thicknesses in places that are hard to reach and of for example round surfaces.

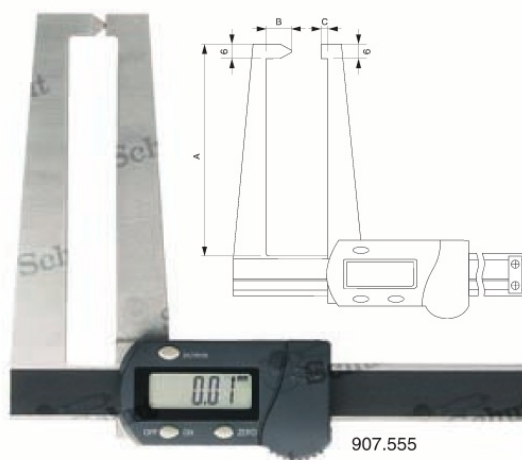
- Measuring range: 0- 150 mm.
- Resolution: 0.01 mm.
- mm/inch conversion.
- On/off switch.
- Reset.
- Large LCD display.
- Power supply: 1 battery type V357.



Item No.	Measuring range/mm	Price EUR
906.350	0- 75	
906.351	0-125	
906.352	0-150	
Option:		
836.535	Spare battery	

Digital caliper with square, pointed anvil

Because of the pointed anvil and the long measuring jaws you can measure with this caliper all sorts of wall thicknesses in places that are hard to reach and of for example round surfaces.



- Measuring range: 0- 150 mm.
- Resolution: 0.01 mm.
- mm/inch conversion.
- On/off switch.
- Reset.
- Preset through SET switch.
- Anvil: height 1 mm, width 0.5 mm.
- Measuring face: height 6 mm, width 3 mm.
- Power supply: 1 battery type V357.



Item No.	Measuring range/mm	Length/mm			Price EUR
		A	B	C	
907.555	0-150	95	10	3	
Option:					
836.535	Spare battery				



C02 208 QControl 20180702

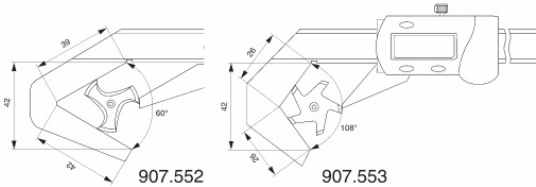
Digital calipers with prismatic anvil

Digital calipers with prismatic anvil for measuring objects with an uneven number of grooves like cutters, reamers and drills. The angle of the prism aperture is designed for workpieces having a number of 3 or 5 flutes.

- Measuring range: 1 - 40 mm.
- Resolution: 0.01 mm.
- Accuracy: ±0.05 mm.
- mm/inch conversion.
- On/off switch.
- Reset.
- Preset through SET switch.
- Locking screw.
- Including setting gauge ϕ 4 mm (907.552) or ϕ 1 mm (907.553).
- Power supply: 1 battery type V357.

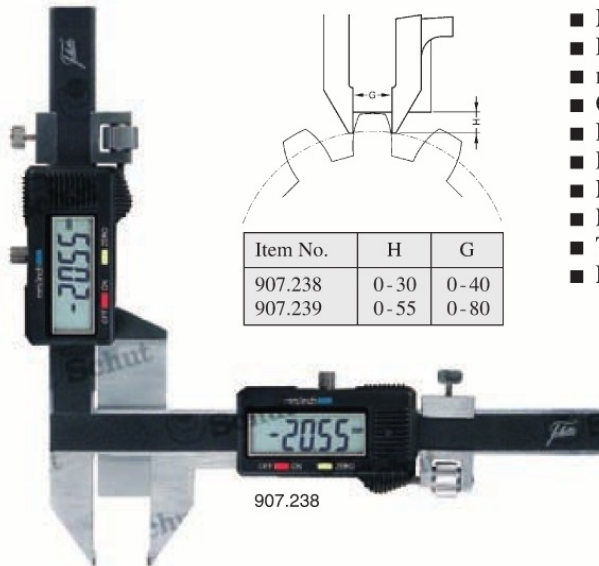


Item No.	For work-pieces with	Measuring range/mm	Price EUR
907.552	3 flutes	4 - 40	
907.553	5 flutes	1 - 40	
Option:			
836.535	Spare battery		



Digital gear tooth thickness calipers

The vertical slider sets the height (H) from the top of the tooth to the pitch line. Subsequently, the horizontal slider measures the tooth thickness (G) at the pitch line.



Item No.	H	G
907.238	0 - 30	0 - 40
907.239	0 - 55	0 - 80

- Measuring range: module 1 - 50.
- Resolution: 0.01 mm.
- mm/inch conversion.
- On/off switch.
- Reset.
- Large LCD display.
- Fine adjustment.
- Locking screw.
- Tungsten carbide measuring faces.
- Power supply: 2 batteries type V357.



Item No.	Module	Price EUR
907.238	1 - 30	
907.239	5 - 50	
Option:		
836.535	Spare battery (2 needed)	

C02 303 QControl 20180702

Digital calipers for internal measurements

Calipers with long measuring jaws for internal measurements.

- Measuring range: 15 - 300 mm.
- Resolution: 0.01 mm.
- mm/inch conversion.
- On/off switch.
- Reset.
- Large LCD display.
- Locking screw.
- Power supply: 1 battery type V357 (except 906.825/827/829).



Item No.	Measuring range/mm	Effective jaw length mm	Price EUR
906.824	15 - 150	50	
906.825*	25 - 150	130	
906.826	18 - 200	65	
906.827*	25 - 200	130	
906.828	20 - 300	80	
906.829*	25 - 300	130	

Options:

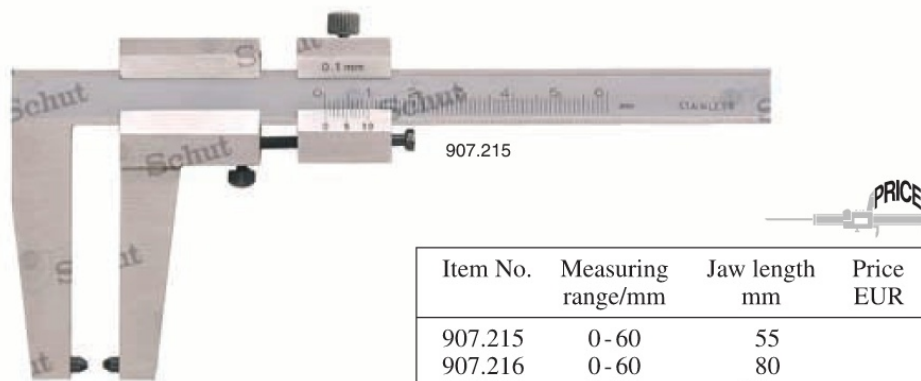
836.535	Spare battery type V357
495.157	Spare battery type CR2032



Brake disc calipers

Brake disc calipers especially for measuring the groove depth of brake discs.

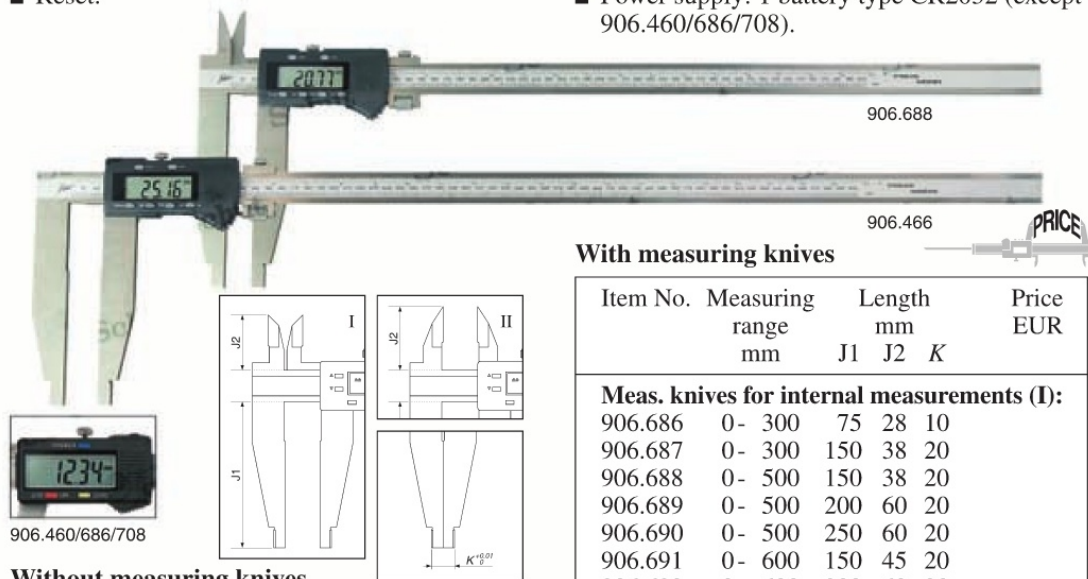
- Measuring range: 0 - 90 mm.
- Vernier: 0.1 mm.
- Locking screw.
- Stainless steel construction.



Item No.	Measuring range/mm	Jaw length mm	Price EUR
907.215	0 - 60	55	
907.216	0 - 60	80	
907.217	0 - 90	120	

Absolute digital workshop calipers

- Measuring range: 0 - 2000 mm.
- Resolution: 0.01 mm.
- mm/inch conversion.
- ABS/INC switchable (except 906.460/686/708).
- On/off switch.
- Reset.
- Preset (except 906.460/686/708).
- Memory for measuring values when the display is switched off.
- Fine adjustment.
- Rounded jaw ends for internal measurements.
- Locking screw.
- Power supply: 1 battery type CR2032 (except 906.460/686/708).



Without measuring knives

Item No.	Measuring range mm	Length mm		Price EUR
		J1	K	
906.708	0- 300	75	10	
906.709	0- 300	150	20	
906.465	0- 500	150	20	
906.470	0- 500	200	20	
906.718	0- 500	250	20	
906.466	0- 600	150	20	
906.471	0- 600	200	20	
906.719	0- 600	300	20	
906.467	0-1000	200	20	
906.472	0-1000	300	20	
906.468	0-1500	200	20	
906.473	0-1500	300	20	
906.469	0-2000	200	20	
906.474	0-2000	300	20	

Item No.	Description	Price EUR
495.157	Spare battery type CR2032	
836.535	Spare battery type V357	

With measuring knives

Item No.	Measuring range mm	Length mm			Price EUR
		J1	J2	K	
Meas. knives for internal measurements (I):					
906.686	0- 300	75	28	10	
906.687	0- 300	150	38	20	
906.688	0- 500	150	38	20	
906.689	0- 500	200	60	20	
906.690	0- 500	250	60	20	
906.691	0- 600	150	45	20	
906.692	0- 600	200	60	20	
906.693	0- 600	300	60	20	
906.694	0-1000	200	60	20	
906.695	0-1000	300	60	20	
906.696	0-1500	200	60	20	
906.697	0-1500	300	60	20	
906.698	0-2000	200	60	20	
906.699	0-2000	300	60	20	
Meas. knives for external measurements (II):					
906.460	0- 300	75	38	10	
906.758	0- 300	150	56	20	
906.461	0- 500	150	56	20	
906.759	0- 500	200	67	20	
906.760	0- 500	250	80	20	
906.761	0- 600	150	56	20	
906.762	0- 600	200	67	20	
906.763	0- 600	300	80	20	
906.462	0-1000	200	67	20	
906.764	0-1000	300	80	20	
906.463	0-1500	200	80	20	
906.765	0-1500	300	80	20	
906.464	0-2000	200	80	20	
906.766	0-2000	300	80	20	

Digital lightweight workshop calipers

Lightweight digital aluminum workshop calipers with both measuring jaws moveable. Hardened stainless steel measuring jaws, with rounded jaw ends for internal and external measurements. Excellent sliding properties due to double prismatic joint.

- Measuring range: 0-800 mm.
- Resolution: 0.01 mm.
- mm/inch conversion.
- On/off switch.
- Reset.
- Jaw length standard delivered jaw: 90 mm.
- Length meas. knives for external measurements: 40 mm.
- Locking screws.
- Delivery in a case.
- Power supply: 1 battery type V357.

NEW



Item No.	Measuring range/mm	Accuracy mm	Weight kg	Price EUR
853.200	0-300	0.04	0.5	
853.201	0-500	0.05	0.6	
853.202	0-800	0.06	0.8	

Options:
 853.219¹ Pair measuring jaws 90 mm
 853.220 Pair measuring jaws 125 mm
 853.221 Pair measuring jaws 150 mm
 836.535 Spare battery

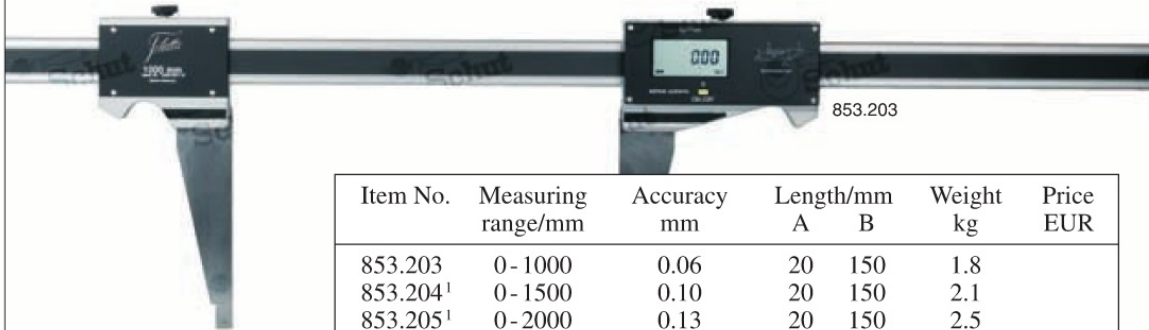
¹ Standard included.

Digital lightweight workshop calipers

Lightweight digital aluminum workshop calipers with both measuring jaws moveable. Hardened stainless steel measuring jaws, with rounded jaw ends for internal and external measurements. Excellent sliding properties due to double prismatic joint.

- Measuring range: 0-2000 mm.
- Resolution: 0.01 mm.
- On/off switch.
- Reset.
- Locking screws.
- Delivery in a case.
- Power supply: 1 battery type CR2032.

NEW



Item No.	Measuring range/mm	Accuracy mm	Length/mm		Weight kg	Price EUR
			A	B		
853.203	0-1000	0.06	20	150	1.8	
853.204 ¹	0-1500	0.10	20	150	2.1	
853.205 ¹	0-2000	0.13	20	150	2.5	



Option:
 495.157 Spare battery

¹ Delivery ex Groningen, Netherlands.

012 337 QControl 20190702

Digital aluminum workshop calipers

Lightweight digital aluminum workshop calipers with both measuring jaws moveable.

- Measuring range: 0 - 1500 mm.
- Resolution: 0.1 mm.
- mm/inch conversion.
- ABS/INC switchable.
- On/off switch.
- Reset.
- Aluminum scale with hollow construction (8 x 30 mm).
- Both of the measuring jaws can be moved.
- Power supply: 1 battery type V357.



Item No.	Measuring range/mm	Measuring jaw/mm	Weight kg	Price EUR
909.795	0 - 500	150	0.7	
909.796	0 - 1000	150	0.9	
909.797	0 - 1500	150	1.1	
Option:				
836.535	Spare battery			

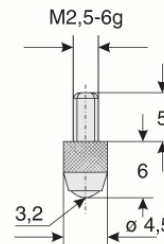
Digital lightweight universal workshop calipers

Universal lightweight aluminum workshop calipers with exchangeable measuring inserts for special purposes with both measuring jaws moveable. All inserts with M2.5 thread can be used with these calipers. Please see the dial indicator accessories section for these inserts.

- Internal measuring range¹: 30 - 1000 mm.
- External measuring range¹: 0 - 1000 mm.
- Resolution: 0.01 mm.
- mm/inch conversion.
- Tolerance function.
- On/off switch.
- Reset/preset.
- Measuring jaw: 100 mm.
- Interchangeable measuring inserts: 1 pair included (ball attachment ϕ 3.2 mm, l = 6 mm).
- Fine adjustment.
- Locking screws.
- Delivery in a case.
- Power supply: 1 battery type CR2032.
- Larger sizes available on request.



Item No.	Measuring range/mm internal ¹	Measuring range/mm external ¹	Accuracy mm	Weight kg	Price EUR
853.206	30 - 300	0 - 300	0.04	1	
853.207	40 - 500	0 - 500	0.05	1.3	
853.208	40 - 1000	0 - 1000	0.06	1.7	
Options:					
495.157	Spare battery				

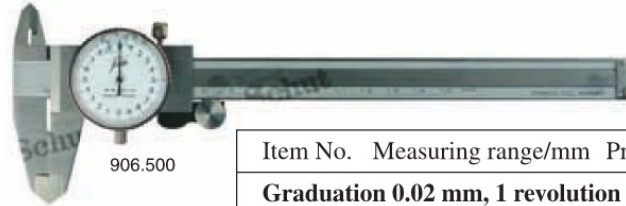


¹ The measuring range can change depending on inserts.

Dial calipers

Stainless steel dial calipers with protected rack.

- Measuring range: 0-300 mm.
- Graduation: 0.01 or 0.02 mm.
- 1 pointer revolution = 1 or 2 mm.
- Rotatable dial.
- Thumb wheel.
- DIN 862.



Item No.	Measuring range/mm	Price EUR
Graduation 0.02 mm, 1 revolution = 2 mm:		
906.500	0-150	
906.499	0-200	
906.501	0-300	
Graduation 0.01 mm, 1 revolution = 1 mm:		
906.498	0-150	



High-quality plastic calipers from Switzerland

These modern designed Swiss calipers are made of fiberglass re-enforced plastic, which makes them very firm and light, wear-proof, and resistant to all kinds of chemicals – ideal for the workshop! Each model is equipped with an easy read-out. Combined with the low price a line of very attractive calipers.

- Measuring range: 0-150 mm.
- Thumb wheel.
- Flat depth rod.
- DIN 862.
- Delivery in a case.

Vernier caliper

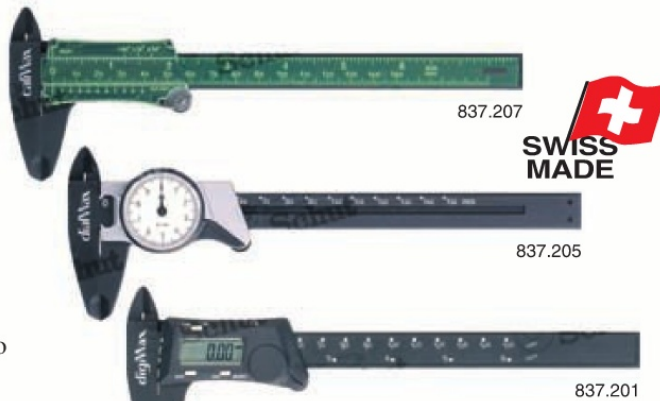
- Vernier: 0.1 mm / 1/64 inch.
- The scale lightens up with minimal light.

Dial caliper

- Graduation: 0.1 mm.
- 1 pointer revolution = 10 mm.
- Rotatable dial, ø 32 mm.
- The dial is shockproof and can be set to zero.

Digital caliper

- Resolution: 0.01 mm.
- mm/inch conversion.
- On/reset switch.
- Off switch.
- Power supply: 1 battery type V357.



837.209:
set with folding
rule of 1 m



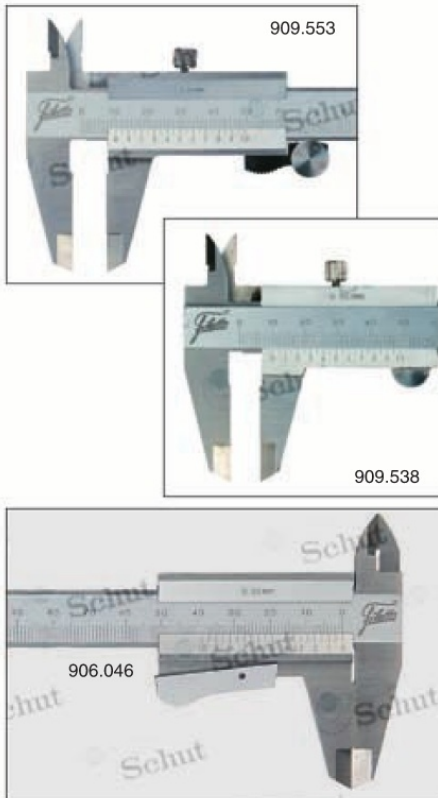
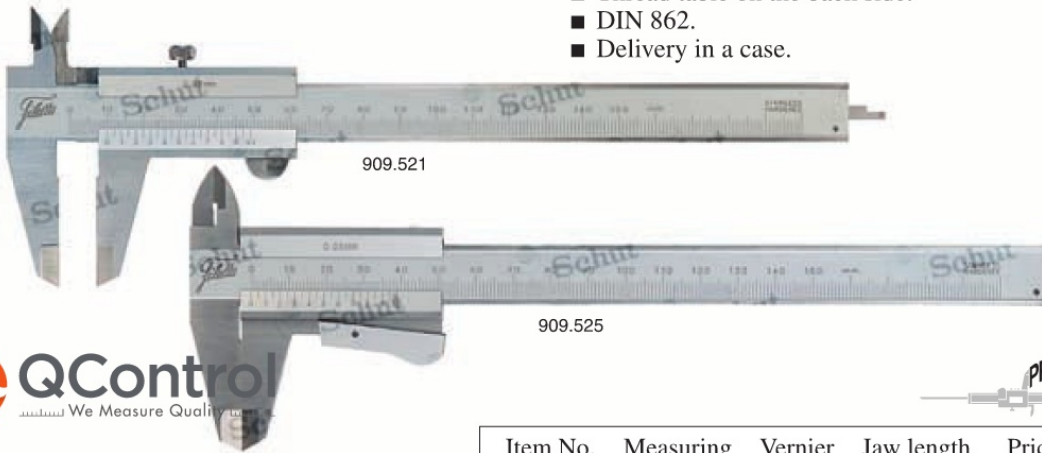
Item No.	Description	Price EUR
837.207	Vernier caliper	
837.205	Dial caliper	
837.209	Set of dial caliper 837.205 with a folding rule of 1 m	
837.201	Digital caliper	
Option:		
836.535	Spare battery	

002 271-QControl-20190702

Calipers

Hardened stainless steel calipers with no-glare chrome finished scale and vernier.

- Measuring range: 0 - 300 mm.
- Vernier: 0.05 or 0.02 mm.
- Raised sliders (except 909.538).
- Monoblock.
- Locking screw or spring release.
- Flat depth rod.
- Thread table on the back side.
- DIN 862.
- Delivery in a case.



Item No.	Measuring range/mm	Vernier mm	Jaw length mm	Price EUR
Locking screw on top:				
909.541	0 - 150	0.02	40	
909.542	0 - 160	0.02	40	
909.543	0 - 200	0.02	50	
909.544	0 - 300	0.02	62	
Locking screw on top:				
909.520	0 - 100	0.05	30	
909.521	0 - 150	0.05	40	
909.522	0 - 160	0.05	40	
909.523	0 - 200	0.05	50	
909.524	0 - 300	0.05	62	
With thumb wheel (locking screw on top):				
909.553	0 - 150	0.05	40	
909.554	0 - 200	0.05	50	
909.555	0 - 300	0.05	62	
Parallax-free (locking screw on top):				
909.538	0 - 150	0.05	40	
Spring release:				
909.525	0 - 150	0.05	40	
909.526	0 - 160	0.05	40	
909.527	0 - 200	0.05	50	
909.528	0 - 300	0.05	62	
Spring release, left-handed model:				
906.046	0 - 150	0.05	40	
906.047	0 - 150	0.02	40	

C02 217-QControl-20190702

Parallax-free lightweight workshop calipers

Lightweight parallax-free aluminum workshop calipers with exchangeable hardened stainless steel measuring jaws, with rounded jaw ends for internal and external measurements. High contrast reading due to white print on black background. Excellent sliding properties due to double prismatic joint.

- Measuring range: 0-900 mm.
- Vernier: 0.05 mm / 1/128 inch.
- Jaw length standard delivered jaw: 90 mm.
- Length meas. knives for external measurements: 40 mm.
- Parallax-free.
- Locking screw.
- Delivery in a case.

NEW



Item No.	Measuring range/mm	Weight kg	Price EUR
853.216	0-300	0.5	
853.217	0-500	0.6	
853.218	0-900	0.8	

Options:
 853.219¹ Pair measuring jaws 90 mm
 853.220 Pair measuring jaws 125 mm
 853.221 Pair measuring jaws 150 mm

¹ Standard included.

Workshop calipers

Hardened stainless steel workshop calipers with no-glare chrome finished scale and vernier.

- Measuring range: 0-1500 mm.
- Vernier: 0.02 mm.
- Raised sliders.
- Fine adjustment.
- With measuring knives or rounded jaw ends for internal measurements.
- Locking screws.
- DIN 862.
- Delivery in a case.



Item No.	Measuring range mm	Internal measurements from/mm	Jaw length mm	Price EUR
With measuring knives for internal measurements:				
906.230	0- 300	-	65	
With rounded jaw ends for internal measurements:				
906.231	0- 300	10	80	
906.233	0- 500	10	100	
906.234	0- 600	10	100	
906.235	0-1000	20	125	
906.236	0-1500	20	125	



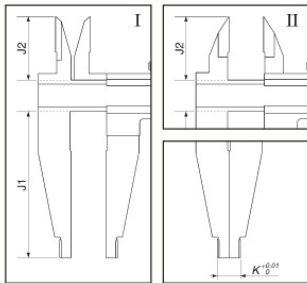
QControl
 We Measure Quality

002 2118 QControl 201708

Workshop calipers

Large and solid, stainless steel calipers with no-glare chrome finished scale and vernier.

- Measuring range: 0-2000 mm.
- Vernier: 0.02 mm / 1/1000 inch or 0.05 mm / 1/128 inch.
- Fine adjustment.
- With or without measuring knives for internal or external measurements.
- Monoblock.
- Rounded jaw ends for internal measurements; measuring range ≤600 mm: K=10 mm, measuring range >600 mm: K=20 mm.
- Locking screws.
- DIN 862.
- Delivery in a case with a declaration of conformity.



Vernier 0.05 mm / 1/128 inch

Item No.	Measuring range mm	Length mm			Price EUR
		J1	J2	K	
Without measuring knives:					
909.670	0- 300	90	-	10	
909.620	0- 450	150	-	10	
909.621	0- 500	150	-	10	
909.622	0- 600	150	-	10	
909.623	0- 800	150	-	20	
909.624	0-1000	150	-	20	
909.639	0-1500	200	-	20	
909.640	0-2000	200	-	20	
Meas. knives for internal measurements (I):					
909.672	0- 300	90	22	10	
909.632	0- 400	100	46	10	
909.633	0- 500	150	46	10	
909.634	0- 600	150	46	10	
909.635	0- 750	150	54	20	
909.636	0-1000	150	54	20	
909.637	0-1500	200	66	20	
909.638	0-2000	200	66	20	
Meas. knives for external measurements (II):					
909.674	0- 300	90	22	10	
909.656	0- 400	100	46	10	
909.657	0- 500	150	46	10	
909.658	0- 600	150	46	10	
909.659	0- 750	150	54	20	
909.660	0-1000	150	54	20	
909.661	0-1500	200	66	20	
909.662	0-2000	200	66	20	

Vernier 0.02 mm / 1/1000 inch

Item No.	Measuring range mm	Length mm			Price EUR
		J1	J2	K	
Without measuring knives:					
909.671	0- 300	90	-	10	
909.615	0- 450	150	-	10	
909.616	0- 500	150	-	10	
909.617	0- 600	150	-	10	
909.618	0- 800	150	-	20	
909.619	0-1000	150	-	20	
909.641	0-1500	200	-	20	
909.642	0-2000	200	-	20	
Meas. knives for internal measurements (I):					
909.673	0- 300	90	22	10	
909.625	0- 400	100	46	10	
909.626	0- 500	150	46	10	
909.627	0- 600	150	46	10	
909.628	0- 750	150	55	20	
909.629	0-1000	150	55	20	
909.630	0-1500	200	66	20	
909.631	0-2000	200	66	20	
Meas. knives for external measurements (II):					
909.675	0- 300	90	22	10	
909.663	0- 400	100	46	10	
909.664	0- 500	150	46	10	
909.665	0- 600	150	46	10	
909.666	0- 750	150	55	20	
909.667	0-1000	150	55	20	
909.668	0-1500	200	66	20	
909.669	0-2000	200	66	20	

Probe set for calipers

This probe set enlarges the possibilities of a regular caliper. Probe holders are slid on the measuring jaw of the caliper. The different probes can be screwed onto them. The probe set makes it possible to execute measurements which are not possible with a regular caliper, such as measuring internal grooves and center distances.

- Maximum jaw thickness: 3.2 mm
- Delivery in a wooden case.



∅		
6 mm	>16 mm	>4 mm
10 mm	>20 mm	>1 mm
12.5 mm	>22 mm	>0 mm

3, 4, 5
Disc probes for internal measurements.

6
Conical probes (9 mm) for measuring center distances of two equal holes.

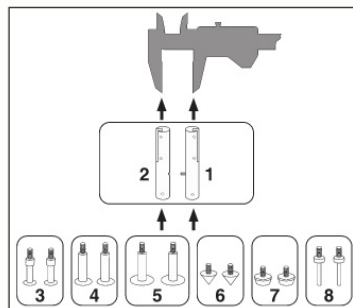
7
Conical probes (12.5 mm) for measuring center distances of two equal holes.

8
Horizontally positioned cylindrical probes for measuring internal grooves > 45 mm.

8
Vertically positioned cylindrical probes.

The set consists of:

- ① right probe holder,
- ② left probe holder,
- ③ pair of disc probes ∅ 6 mm,
- ④ pair of disc probes ∅ 10 mm,
- ⑤ pair of disc probes ∅ 12.5 mm,
- ⑥ pair of cone probes ∅ 9 mm, 60°,
- ⑦ pair of cone probes ∅ 12.5 mm, 60°,
- ⑧ pair of cylindrical probes ∅ 1.5 x 9 mm,
- ⑨ hexagon key.



Item No.	Description	Price EUR
909.655	Probe set for calipers	

Caliper inspection set

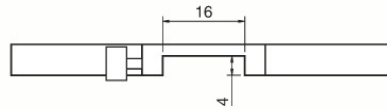
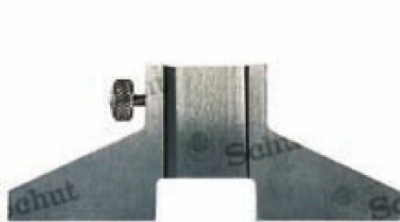
For checking the accuracy of DIN 862 calipers. The set consists of three special steel gauge blocks (30 mm, 41.3 mm and 131.4 mm, ISO 3650 class 1), two steel setting rings (ø4 mm and ø25 mm) and a pair of gloves.



Item No.	Description	Price EUR
909.347	Caliper inspection set	

Depth measuring base for calipers

Universal depth measuring base for stable and accurate depth measurements. Suitable for most of the calipers with a depth rod and a measuring range up to 200 mm. For more information please contact our sales department.



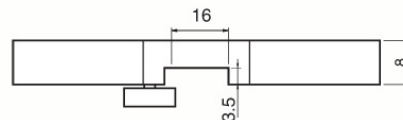
Item No.	Measuring face l x w/mm	Price EUR
909.156	75 x 6	

Depth measuring bases for calipers

Universal depth measuring bases for stable and accurate depth measurements. Suitable for most of the calipers with a depth rod and a measuring range up to 200 mm. For more information please contact our sales department.



909.386



Item No.	Measuring face l x w/mm	Price EUR
909.386	80 x 8	
909.387	100 x 8	



002.310.QControl.20190702

Caliper holder

Plastic holder for calipers (analog and digital; regular shaped) of 150 mm.

- For regular shaped calipers (analog and digital).
- Delivery including mounting set.
- Rotatable 360°.



NEW



Item No.	For meas. range/mm	Price EUR
360.000	150	

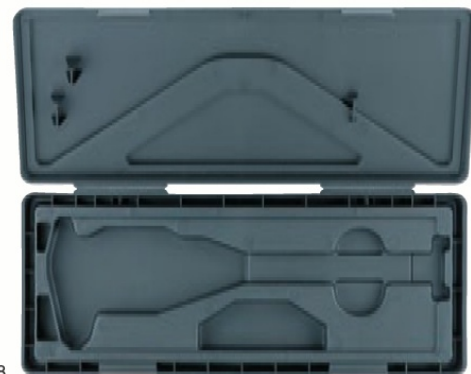


Plastic hard cases for calipers

Protect calipers during transport and storage.

- For regular shaped calipers (analog, digital and dial type).

NEW



910.108

Item No.	For meas. range/mm	Price EUR
910.108	150	
910.109	200	
910.110	300	

Soft cases for calipers

Protect calipers during transport and storage.

- For regular shaped vernier calipers.
- Made of synthetic leather.



909.495



Item No.	For meas. range/mm	Price EUR
909.494	100	
909.495	150	
909.496	160	
909.497	200	
909.498	300	