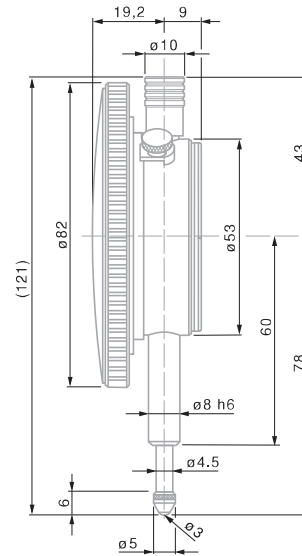


Dial Ø 82 mm – Reading 0,01 mm

Precision dial gauges



01410910



01410910

- EN ISO 463 Factory Standard
- Rotating dial. With or without dial lock
- Full-metal dial casing. Stainless steel fixing shank and plunger, hardened
- High performance shock-proof system in the 2 directions
- M2,5 thread for measuring insert
- Measuring insert with Ø 3 mm ball tip, already mounted
- Inspection report with declaration of conformity

01410910	10	10,5	0,01	0,1	0 ÷ 50 ÷ 100	●	●

Permissible limits of a metrological characteristic (MPE/MPL)

		10 mm
	Deviation span	15 µm
	Deviation span within partial measuring span of 0,10 mm	8 µm
	Total deviation span	17 µm
	Repeatability limit	3 µm
	Max. hysteresis	3 µm
	Measuring force	≤ 1,4 N