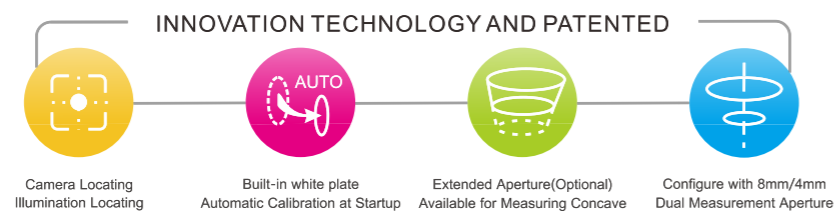


**MODEL: NH310**

NH310 is a mainstream brand colorimeter introduced by 3nh which has synthesized the advantages of ten more traditional imported colorimeters. Accurate, Stable Exquisite and Affordable!

**MODEL: NH300**

Nh300 is the highest cost-effective portable colorimeter with high precise in NH series.



**PRODUCT FEATURES**

**1. Leading Humanity Design and Convenient Operation**

Auto White and Black Calibration at Startup  
Structure Design in line with Ergonomics  
Easy-to-use Operation Interface.

**2. Stable Measurement Performance**

The average fluctuation of  $\Delta E$  is less than 0.06, actually more in 0.03~0.06.  
Portable structure design which is more conducive to keeping the instrument stable when using.

**3. More Measurement Modes**

Three measuring apertures for more circumstances.  
Five color spaces for more color schemes selection.  
Three light sources for more circumstances.

**4. Flexible and Accurate Locating**

Camera locating can solve the problem of locating a small area. The minimum width of locating is 4mm.  
Illumination locating is a fast, simple and convenient locating function which is the original function by 3nh.

**5. PC Software and Li-ion Battery**

PC software can perform color difference analysis, color difference cumulative analysis chromaticity index, color sample database management, simulating object color, etc.  
Advanced Li-ion battery can measure over 3000 times on one charge.

**6. Optional Accessories**



**SPECIFICATION PARAMETER**

| Model | Locating                     | Calibration      | $\Delta E$ | Aperture | Light Source | Color Space             | SCI/SCE | Whiteness | Formula | Yellowness | CQCS3 software |
|-------|------------------------------|------------------|------------|----------|--------------|-------------------------|---------|-----------|---------|------------|----------------|
| NH310 | Camera Illumination Locating | Automatic Manual | <0.06      | 8mm/4mm  | D65 D50 A    | Lab XYZ CIE-RGB LCH Luv | ✓       | ✓         | ✓       | ✓          | ✓              |
| NH300 | Illumination Locating        | Manual           | <0.07      | 8mm      | D65          | Lab XYZ                 | -       | -         | -       | -          | ✓              |



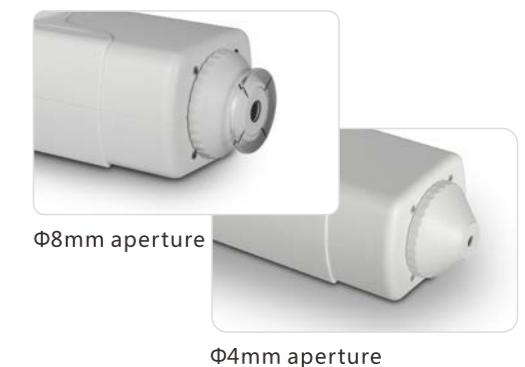
MAKE THE MEASUREMENT EASIER

**NR60CP**

High cost-effective precise colorimeter features with powerful functions and excellent innovation technology.

**PRODUCT FEATURES**

1. 8mm and 4mm double aperture for switch, easy to measure concave sample in large plane
2. More stable and accurate,  $\Delta E^* ab < 0.03$
3. Many color spaces, many color indexes, extensive applicability
4. Double locating: illuminating locating and cross locating
5. Equipped with rechargeable high-capacity li-ion battery
6. Built-in white plate parameters, and configuration of physical whiteboard, easy to operate;
7. New integrating sphere optical path design, more stable to measure;
8. Double apertures measurement data can pass SCM metrological certification;



**SPECIFICATION PARAMETER**

**Illuminating/Viewing Geometry:** 8°/d  
**Light Source:** LED Light  
**Sensor:** silicon photodiode array  
**Measuring Aperture:**  $\Phi 8\text{mm}$  flat aperture;  $\Phi 4\text{mm}$  tip aperture  
**Color Space :** CIE LAB, XYZ, LCH, CIE RGB, CIE LUV  
**Color Difference Formula:**  $\Delta E^* ab, \Delta E(h), \Delta E^* uv, \Delta E^* 94$   
 $\Delta E^* cmc(2:1), \Delta E^* cmc(1:1), \Delta E^* 00$   
**Other Chromaticity Data:** WI, Color Fastness, Staining Fastness  
 J PC79,BFD(1.5:1), FMCI I  
**Observer:** CIE 10°  
**Illuminant:** D65, A, C, D50, F2, F6, F7, F8, F10, F11, F12  
**Display Data:** Colorimetric Value, Color Difference Value/Graph  
 PASS/FAIL Result, Color Offset,  
**Measuring Time:** 0.4s

**Repeatability:**  $\Delta E^* ab 0.03$  (Average of 30 measurements of standard white plate within 5s)  
**Errors between Each instrument:** within Delta  $E^* ab 0.2$   
**Dimension:** 205\*67\*80mm  
**Weight:** 500g  
**Battery:** rechargeable lithium-ion battery 3.7V @ 3200mAh  
**Lamp Life:** 5 years, more than 1.6 million measurements  
**Screen:** TFT 2.8 inch (16:9)  
**Interface:** USB/RS-232  
**Storage:** 100 Standards, 20000 Samples  
**Operating Temperature:** 0~40°C (32~104°F)  
**Storage Temperature:** -20~50°C (-4~122°F)  
**PC Software:** CQCS3 software  
**Optional Accessory:** miniature thermal printer, powder test box