

GQ Series

GQ 20D

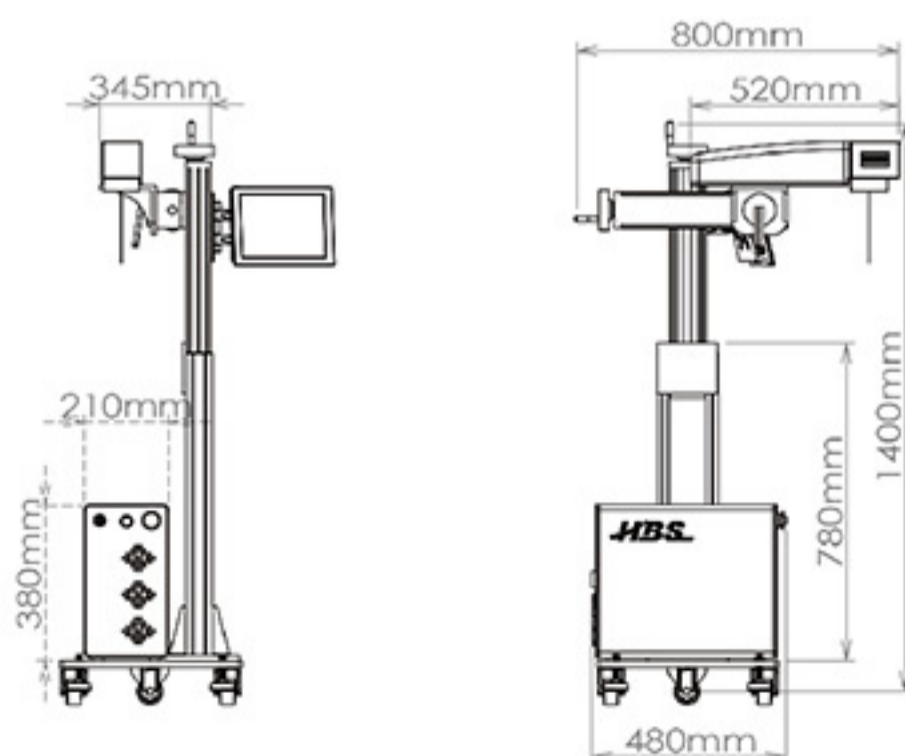
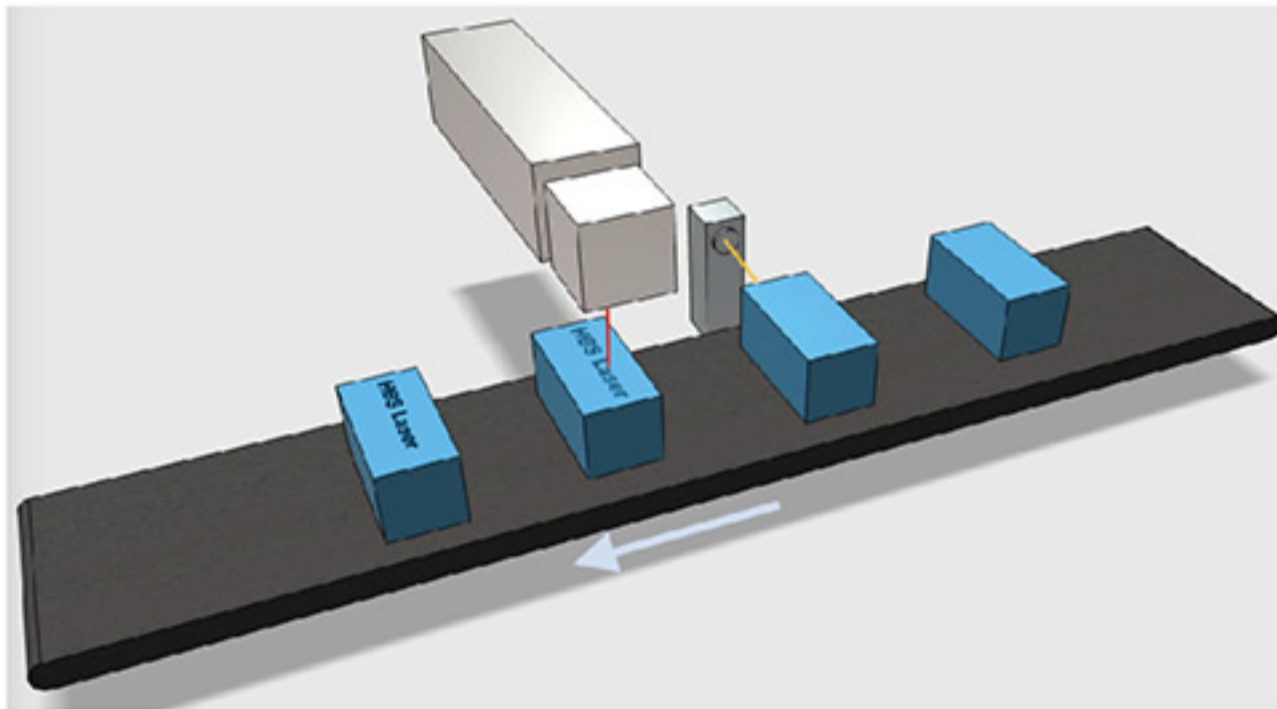
Flexible Marking
System

Stable.

Reliable.

Maximum Flexibility.

In fact, most of our products can be integrated into the mass production line easily. However, our GQ 20D is designed with maximum flexibility which makes it the most suitable one for marking on the fly. Simply move GQ 20D to wherever you need it be, adjust X, Y, Z axis, and after simple sensor installation, your GQ 20D are all set and ready to mark.



Packing Details

Dimension(cm)	120cm*88cm*38cm
Net Weight(kg)	95kg
Gross Weight(kg)	120kg