

- Resolution 0,01 mm  
= ± 0,25 mm Resolution  
0,001 mm =  
± 0,025 mm
- 6-decade LC display  
field plus minus sign
- Digit size 10 x 5 mm  
(H x L)
- Combined analogue  
and numerical  
display
- Glass scale with in-  
cremental divisions,  
capacitive
- Conversion mm/in
- Measuring force:  
< 2 N
- ≤ 2 m/s
- Full-metal housing  
with front face in  
polyamide. Stainless  
steel plunger.  
M2,5 mounting  
thread for mea-  
suring insert.
- RS232,  
opto-coupled
- 3V lithium battery,  
type CR2032
- 1 year to 2 years
- EN 50081-1  
EN 50082-1
- Transport case with  
1 lithium battery  
01961000
- Inspection report  
with eclaration of  
conformity

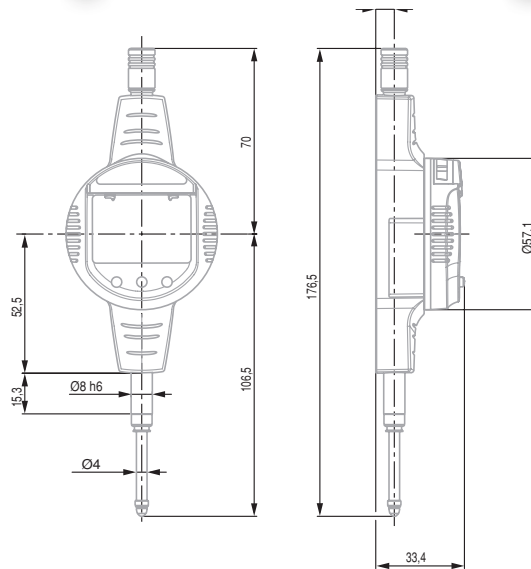
### TESA DIGICO 600

- Measuring modes ABS/REL.
- Dual LC Display.
- Display rotation through 270°. Same goes for the key functions.
- Mechanical tolerance marks.
- Graphical display of tolerance limits.

#### Measuring functions and modes

ON – Auto OFF – PRESET mode – Tolerance mode – Measured value storage

- Max • Min • Max-Min (TIR) – Data output – Counting sense reversal – Keypad lock – Metric/Inch units – Full RESET.



No	=							
01930256	DIGICO 605 MI	12,5	0,5	0,001	0.00005	4	2	150
01930257	DIGICO 610 MI	25	1	0,001	0.00005	5	2	162

