

Hotwire thermo-anemometer VT 110 – VT 115

KEY POINTS

- Easy to use
- Adjustable backlight
- Automatic average
- Hold-min-max functions
- Selection of units
- Debit calculation

TECHNICALS FEATURES

Measuring element	Hotwire air velocity : thermistance with a negative temperature coefficient. Ambient temperature : NTC sensor
Display	4 lines, LCD technology. Sizes 50 x 36 mm. 2 lines of 5 digits with 7 segments (value) 2 lines de 5 digits with 16 segments (unit)
Probes	VT 110 : Stainless hotwire probe VT 115 : Telescopic hotwire probe bent at 90°
Cable	Straight, length : 2 m
Housing	ABS, protection IP54
Keypad	5 keys
Conformity	Directives EMC 2014/30/EU and EN 61010-1
Power supply	4 batteries AAA LR03 1.5 V
Battery life	180 hours
Ambience	Neutral gas
Operating temperature (instrument)	From 0 to +50 °C
Operating temperature (probe)	From 0 to +50 °C
Storage temperature	From -20 to +80 °C
Auto shut-off	Adjustable from 0 to 120 min
Weight	250 g

SPECIFICATIONS

Measuring units	Measuring range	Accuracy ¹	Resolution
Velocity (hotwire)			
m/s, fpm, km/h	From 0.15 to 30 m/s	From 0.15 to 3 m/s : $\pm 3\%$ of reading ± 0.05 m/s	0.01 m/s
		From 3.1 to 30 m/s : $\pm 3\%$ of reading ± 0.2 m/s	0.1 m/s
Airflow			
m ³ /h, cfm, l/s, m ³ /s	From 0 to 99 999 m ³ /h	$\pm 3\%$ of reading $\pm 0.03 \times \text{area}$ (cm ²)	1 m ³ /h
Temperature			
°C, °F	From -20 to +80 °C	$\pm 0.3\%$ of reading ± 0.25 °C	0.1 °C



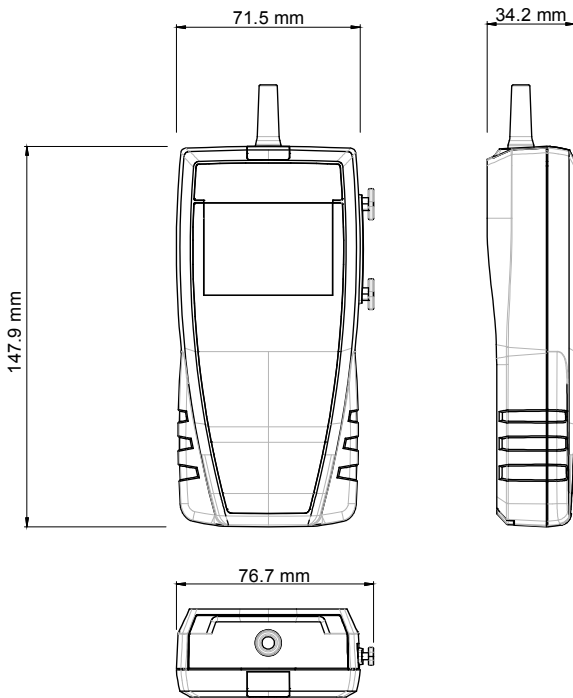
FUNCTIONS

- Airflow calculation
- Airflow calculation with cone
- Selection of units (air velocity, airflow and temperature)
- Hold function
- Display of minimum and maximum values
- Adjustable auto shut-off
- Backlight
- Airflow detection
- Selection of cone
- Dimensions of rectangular and circular duct
- Automatic average
- Air velocity compensation in atmospheric pressure

¹Établies dans des conditions de laboratoire, les exactitudes présentées dans ce document seront maintenues sous réserve d'appliquer les compensations nécessaires ou de se ramener à des conditions identiques.

*Except class 110 S

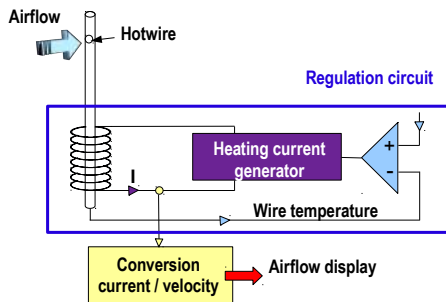
DIMENSIONS



OPERATING PRINCIPLES

Hotwire anemometer

A wire is continuously heated at a superior temperature than ambient and continuously cooled by airflow. Constant temperature is maintained by a regulation circuit. The heating current is proportional to the airflow velocity.



Thermometer : CTN probe

Probes with a negative temperature coefficient are thermistors with a resistance that decreases with the temperature, according to the equation below:

$$R_{(T)} = R_{(T_0)} e^{\left(\frac{\alpha}{100} \times (T_0 + 273.15)^2 \times \left(\frac{1}{T + 273.5} - \frac{1}{T_0 + 273.5} \right) \right)}$$

R_T = resistance sensor value at temperature T

$R_{(T_0)}$ = resistance value of the temperature sensor at reference T_0

T and T_0 in °C

α and T_0 sensor specific constants

SUPPLIED WITH

Instruments are supplied with :

- VT 110 : Straight hotwire probe
- VT 115 : Telescopic hotwire probe bent at 90°
- Calibration certificate*
- Transport case (ref : ST 110)



*Except class 110 S

ACCESSORIES

CQ 15 : Magnetic protective housing



K 35 - 75 - 120 - 150 : Airflow cone



MT 51 : ABS transport case



MAINTENANCE

We carry out calibration, adjustment and maintenance of your instruments to guarantee a constant level of quality of your measurements. As part of Quality Assurance Standards, we recommend you to carry out a yearly checking.

GUARANTEE

Instruments have 1-year guarantee for any manufacturing defect (return to our After-Sales Service required for appraisal).

www.kimo.fr

Distributed by :



EXPORT DEPARTMENT

Tel : + 33. 1. 60. 06. 69. 25 - Fax : + 33. 1. 60. 06. 69. 29

e-mail : export@kimo.fr